

# MODLINK HEAVY

Heavy-Duty Connectors





# MODLINK HEAVY

**Murrelektronik's Modlink Heavy series of heavy-duty connectors ensure the reliable transfer of signals, energy, data and pneumatics – even in the roughest of industrial environments. They consistently protect interfaces from water, dirt and high mechanical stresses.**

Our portfolio is wide-ranging. We offer our customers the right connector for every situation – our main strength is flexibility in the configuration of connectors. Flexibility in selection comes from four different housing types in seven different sizes. And, if you wish, they can be locked according to three different methods. Combined with an array of contact inserts, you can choose between many different models with fixed positions or modular versions. A variety of accessories are tailored to suit the Murrelektronik heavy-duty connectors and rounded off down to the last detail.

## MAXIMUM VERSALITY

---

- Four different types of housings in seven different sizes
- Housings up to protection class IP68 – maximum tightness
- Various contact inserts with fixed positions and modular versions for high flexibility
- Worldwide approvals for ease of installation



## FIXED POSITION OR MODULAR

---

We offer the right heavy-duty connectors for every situation.



### HOUSINGS

Our portfolio includes seven sizes and four different housing types (grommet, mounting, surface-mounted and coupling). We thus cover the range up to protection class IP68 – for maximum tightness.



### CONTACT INSERTS WITH FIXED POSITIONS

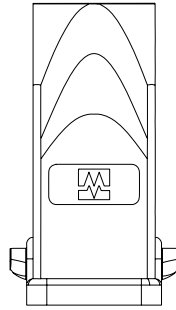
Our portfolio of contact inserts with fixed positions includes A, D, E, EE, K, HSE, HV and Q series. Rated voltages of up to 830 V and rated currents of up to 80 A are possible. Three connection techniques are available: screw, crimp or push-in.



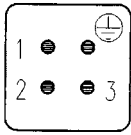
### MODULAR CONTACT INSERTS

Modular contact inserts can accommodate signals, power, data and pneumatics in just one connector. This lets you combine up to six individual connectors. Our portfolio includes four frame sizes and more than 20 basic modules for configuring a wide range of customized solutions – tailored to the relevant application.

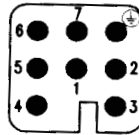
## MODLINK HEAVY FIXED POSITION OVERVIEW – SIZE A3



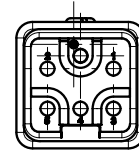
Hood  
Single locking lever  
Top entry/side  
IP65/IP66/IP67



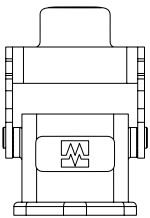
**A-Series**  
400 V / 10 A  
3 + PE / 4 + PE  
screw locking / push-in



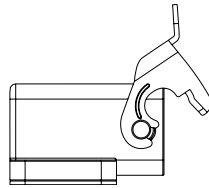
**D-Series**  
250 V / 16 A  
7 + PE  
Crimp



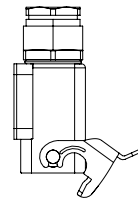
**Q-Series**  
400 V / 16 A  
5 + PE  
Crimp



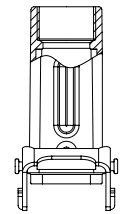
Bulkhead mounted  
housing  
Single locking lever  
IP66 / IP67  
with / without protective  
cover



Bulkhead mounted housing  
angled, angled  
Single locking lever  
IP65 / IP66

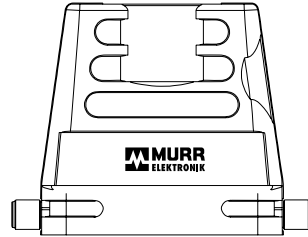


Surface-mounted housing

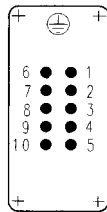


Coupling housing

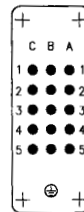
MODLINK HEAVY FIXED POSITION OVERVIEW – SIZE A10



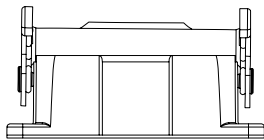
Hood  
Single locking lever  
top/side entry  
IP65



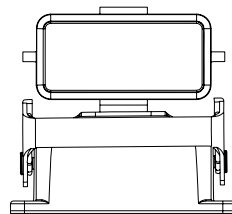
**A-Series**  
250 V/16 A  
10+PE  
screw locking/  
Push-in



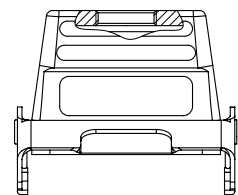
**D-Series**  
250 V/10 A  
15+PE  
Crimp



Bulkhead mounted  
housing  
Single locking lever  
IP65

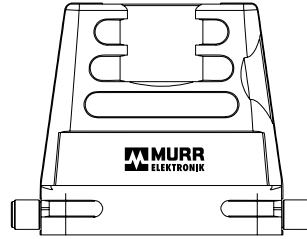


Bulkhead mounted housing  
with protection cover  
Single locking lever  
IP65

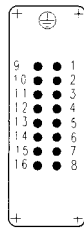


Coupling housing

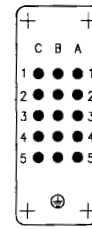
MODLINK HEAVY FIXED POSITION OVERVIEW – SIZE A16



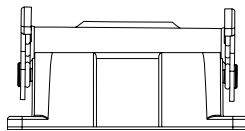
Hood  
Single locking lever  
Cable outlet at top/side  
IP65



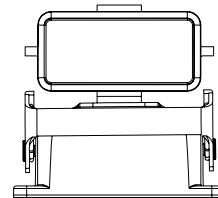
**A-Series**  
250 V / 16 A  
16 + PE  
Screw locking /  
push-in



**D-Series**  
250 V / 10 A  
25 + PE  
Crimp



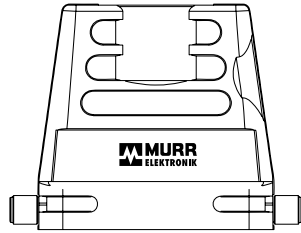
Bulkhead mounted  
housing  
Single locking lever  
IP65



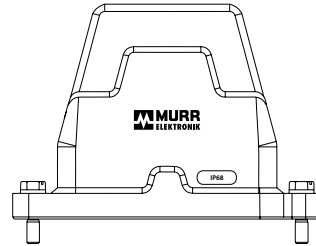
Bulkhead mounted housing with  
protective cover  
Single locking lever  
IP65



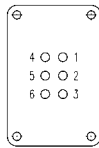
MODLINK HEAVY FIXED POSITION OVERVIEW – SIZE B6



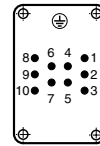
Hood  
Single locking lever  
Cable outlet at top/side  
IP65/IP67



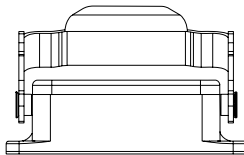
Hood  
Screw locking  
Cable outlet at top/side  
IP68



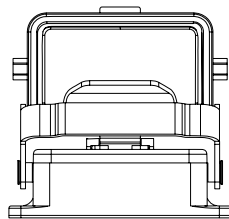
**E-Series**  
500 V / 16 A  
6 + PE  
Screw locking / crimp / push-in



**EE-Series**  
500 V / 16 A  
10 + PE  
Crimp



Bulkhead mounted housing  
Single locking lever  
IP65/IP67



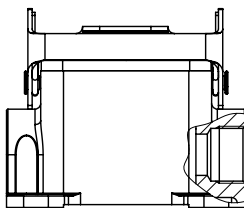
Bulkhead mounted housing with protective cover  
Single locking lever  
IP65



Bulkhead mounted housing  
Screw locking  
IP68

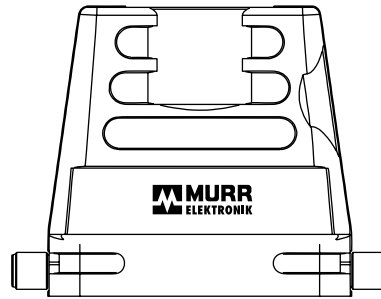


Surface-mounted housing  
Screw locking  
IP68



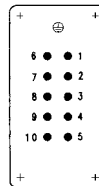
Surface-mounted housing  
Single locking lever  
IP65/IP67

MODLINK HEAVY FIXED POSITION OVERVIEW – SIZE B10, B16 & B24

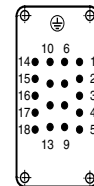


Hood  
Single locking lever  
Cable outlet at top/side  
IP65/IP67

B10

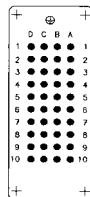


**E-Series**  
500 V / 16 A  
10 + PE  
Screw locking/  
crimp/push-in

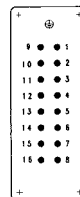


**EE-Series**  
500 V / 16 A  
18 + PE  
Crimp

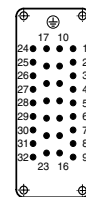
B16



**D-Series**  
250 V / 10 A  
40 + PE  
Crimp

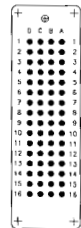


**E-Series**  
500 V / 16 A  
16 + PE  
Screw locking/crimp/push-in

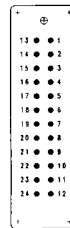


**EE-Series**  
500 V / 16 A  
32 + PE  
Crimp

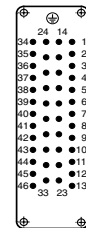
B24



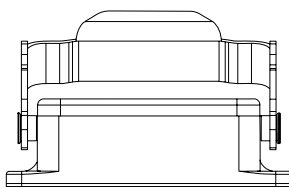
**D-Series**  
250 V / 10 A  
64 + PE  
Crimp



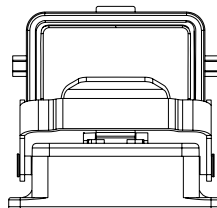
**E-Series**  
500 V / 16 A  
24 + PE  
Screw locking/  
crimp/push-in



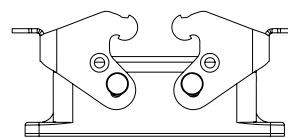
**EE-Series**  
500 V / 16 A  
46 + PE  
Crimp



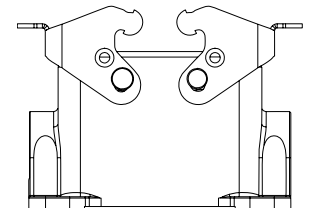
Bulkhead mounted housing  
Single locking lever  
IP65



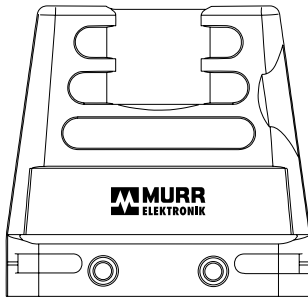
Bulkhead mounted housing with  
protective cover  
Single locking lever  
IP65



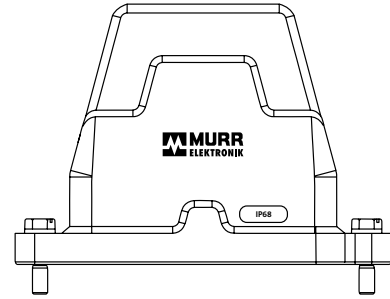
Bulkhead mounted housing with  
protective cover  
Double locking lever  
IP65/IP67



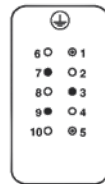
Surface-mounted housing  
Double locking lever  
IP65



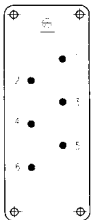
Hood  
Double locking lever  
Cable outlet at top/side  
IP65/IP67



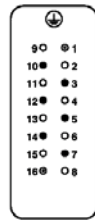
Hood  
Screw locking  
Cable outlet at top/side  
IP68



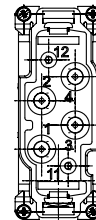
**HV-Series**  
800/500 V  
16 A  
3+2+PE  
Push-in



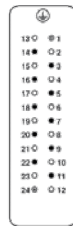
**HSE-Series**  
400 V / 42 A  
6+PE  
Screw locking



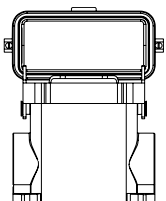
**HV-Series**  
800/500 V  
16 A  
6+2+PE  
Push-in



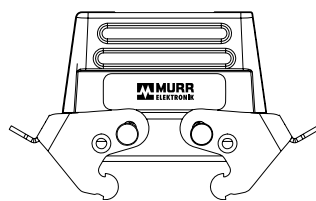
**K-Series**  
830/400 V  
80/16 A  
4+2+PE  
Screw locking



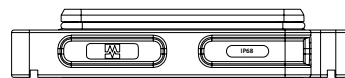
**HV-Series**  
800/500 V  
16 A  
10+2+PE  
Push-in



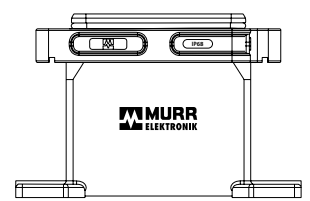
Surface-mounted housing with  
protective cover  
Single locking lever  
IP65



Coupling housing  
Double locking lever  
IP65

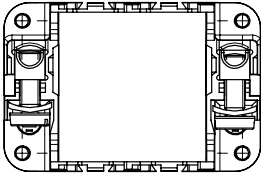


Bulkhead mounted housing  
Screw locking  
IP68

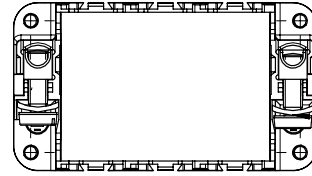


Surface-mounted housing  
Screw locking  
IP68

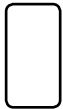
MODLINK HEAVY MODULAR OVERVIEW – SIZE B6, B10, B16 & B24



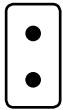
B6 frame  
Male  
for two modules



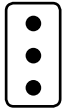
B10 frame  
Male  
for three modules



**Blind module**



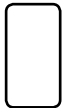
**2-pole module**  
Axial screw connection  
1000 V, 70 or 40 or 100 A



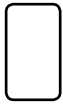
**3-pole module**  
Crimp  
400 V, 40 A



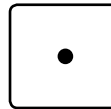
**8-pole module**  
Crimp  
400 V, 16 A



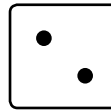
**Gigabit module**



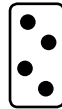
**Pneumatic module**  
2 or 3-pole



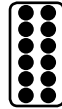
**1-pole module**  
Axial screw connection  
1000 V, 200 A



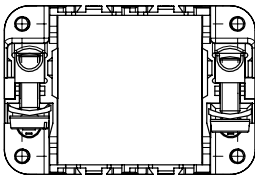
**2-pole module**  
Crimp  
1000 V, 100 A



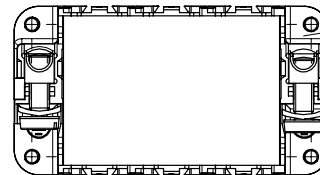
**4-pole module**  
Crimp  
830 V, 40 A



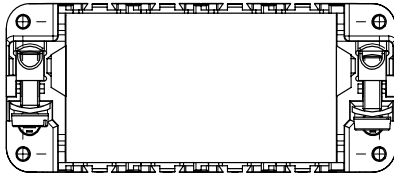
**12-pole module**  
Crimp  
250 V, 10 A



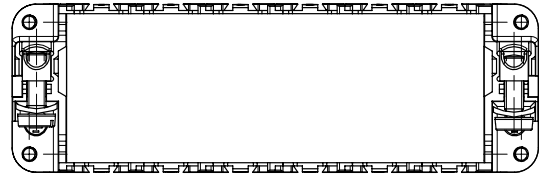
B6 frame  
Female  
for two modules



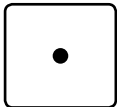
B10 frame  
Female  
for three modules



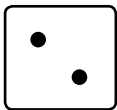
B16 frame  
Male  
for four modules



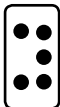
B24 frame  
Male  
for six modules



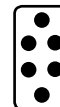
**1-pole PE module**  
Axial screw connection  
1000 V, 200 A



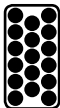
**2-pole shielded module/  
coax module**



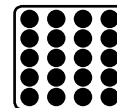
**5-pole module**  
Push-in  
400 V, 16 A



**6-pole module**  
Crimp  
500 V, 16 A



**17-pole module**  
Crimp  
160 V, 10 A



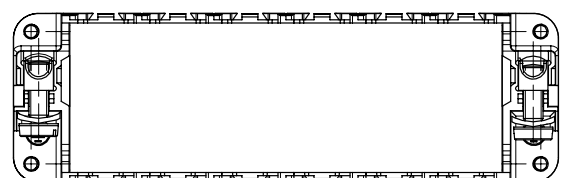
**20-pole module**  
Crimp  
500 V, 16 A



**RJ45 module**



B16 frame  
Female  
for four modules



B24 frame  
Female  
for six modules

## MODLINK HEAVY A3 – CONTACT INSERTS | A-SERIES

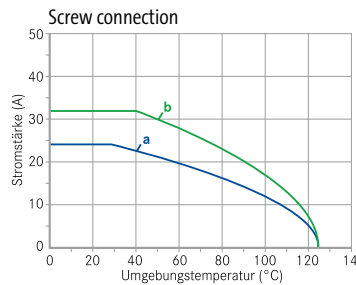
### Technical Data

General data	Standard	Value
Size		A3
Number of poles		3 + PE / 4 + PE
Connection type		Screw terminal / push-in
Connection cross section		0.5 ... 1.5 mm <sup>2</sup>
Contact carrier material		PA GF gray
Contact material		CuZn (brass)
Contact surface material		Ag (silver)
Flammability class	UL94	V-0
Climate category		40/125/21
Temperature range		-40°C ... +125°C
Approvals		UL
Technical Data		
Operating voltage		230 V (PIN – PE; conductor – ground)*
Operating current		10 A
Degree of pollution	EN 60664-1	3
Overvoltage category	EN 60664-1	III
Insulating material group	EN 60664-1	IIIb
Rated surge voltage	EN 60664-1	4 kV
Current rating	EN 60512-5-2	See derating
Contact resistance	EN 60512-2-1	≤ 5 mΩ
Insulation resistance	EN 60512-3-1	≥ 10 <sup>10</sup> Ω
Mating cycles	EN 60512-9-1	min. 500
Terminal screw tightening torque		0.2 Nm

\*400 V (PIN – PIN; conductor – conductor)

### Derating Curves

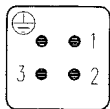
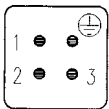
Curve	Cross section
a	1.5 mm <sup>2</sup>
b	2.5 mm <sup>2</sup>




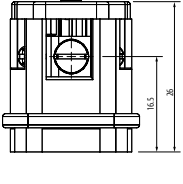
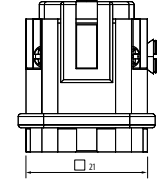

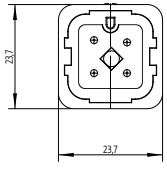
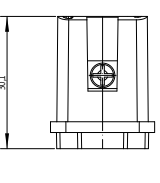

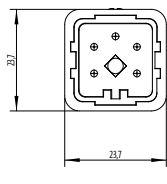
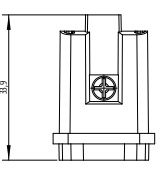

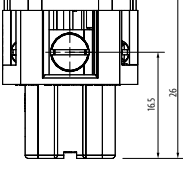
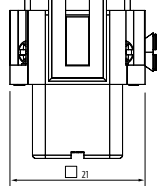

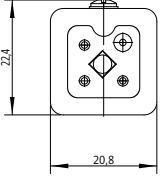
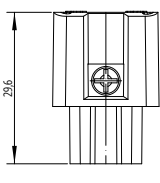

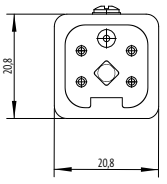
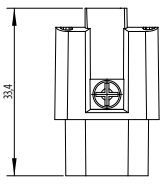
### Contact configuration

Male insert

Female insert



## Inserts

Male	Dimensioned drawing		Description	Art-No.
			Male 3-pole, screw terminal, 400 V, 10 A	<b>70MH-ES003-AS02010</b>
			Male 3-pole, push-in, 400 V, 10 A	<b>70MH-ES003-AP02010</b>
			Male 4-pole, push-in, 400 V, 10 A	<b>70MH-ES004-AP02010</b>
Female	Dimensioned drawing		Description	Art-No.
			Female 3-pole, screw terminal, 400 V, 10 A	<b>70MH-EB003-AS02010</b>
			Female 3-pole, push-in, 400 V, 10 A	<b>70MH-EB003-AP02010</b>
			Female 4-pole, push-in, 400 V, 10 A	<b>70MH-EB004-AP02010</b>

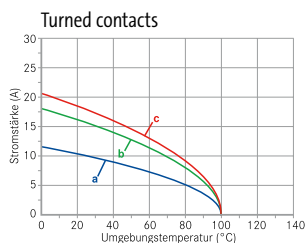
## MODLINK HEAVY A3 – CONTACT INSERTS | D-SERIES

### Technical Data

General data	Standard	Value
Size		A3
Number of poles		7 + PE
Connection type		Crimp
Contact carrier material		PBT GF gray
Flammability class	UL94	V-0
Climate category		40/125/21
Temperature range		-40°C... +125°C
Approvals		UL, CSA
Technical Data		
Operating voltage		250 V
Operating current		16 A
Degree of pollution	EN 60664-1	3
Overvoltage category	EN 60664-1	III
Insulating material group	EN 60664-1	IIIb
Rated surge voltage	EN 60664-1	4 kV
Current rating	EN 60512-5-2	See derating
Contact resistance	EN 60512-2-1	≤ 5 mΩ
Insulation resistance	EN 60512-3-1	≥ 10 <sup>10</sup> Ω
Mating cycles	EN 60512-9-1	min. 500

### Derating Curves

Curve	Cross section
a	0.5 mm <sup>2</sup>
b	1.5 mm <sup>2</sup>
c	2.5 mm <sup>2</sup>



### Contact configuration

Male insert


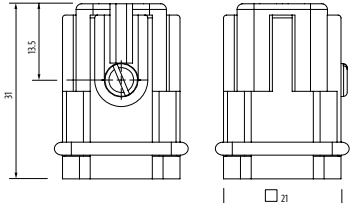

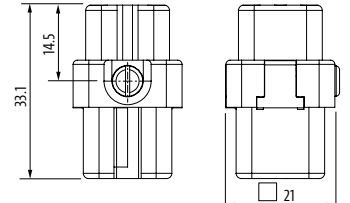


Female insert






## Inserts

Male	Dimensioned drawing	Description	Art-No.
		Male 7-pole, crimp, 250 V, 16 A	<b>70MH-ES007-AC01020</b>
Female	Dimensioned drawing	Description	Art-No.
		Female 7-pole, crimp, 250 V, 16 A	<b>70MH-EB007-AC01020</b>

## Crimp contacts

Turned crimp contacts   1.6 mm	Form of delivery	for wire cross section	AWG	pc	Art-No.	
					Male contact	Female contact
	Silver-plated	0.14–0.37 mm <sup>2</sup>	26–22	100	<b>70MH-ZKA1S-0100100</b>	<b>70MH-ZKB1S-0100100</b>
		0.5 mm <sup>2</sup>	20	100	<b>70MH-ZKA1S-0100200</b>	<b>70MH-ZKB1S-0100200</b>
		0.75–1.0 mm <sup>2</sup>	20–16	100	<b>70MH-ZKA1S-0100300</b>	<b>70MH-ZKB1S-0100300</b>
		1.5 mm <sup>2</sup>	16–15	100	<b>70MH-ZKA1S-0100400</b>	<b>70MH-ZKB1S-0100400</b>
		2.5 mm <sup>2</sup>	14	100	<b>70MH-ZKA1S-0100500</b>	<b>70MH-ZKB1S-0100500</b>
	Gold-plated	0.14–0.37 mm <sup>2</sup>	26–22	100	<b>70MH-ZKA1G-0100100</b>	<b>70MH-ZKB1G-0100100</b>
		0.5 mm <sup>2</sup>	20	100	<b>70MH-ZKA1G-0100200</b>	<b>70MH-ZKB1G-0100200</b>
		0.75–1.0 mm <sup>2</sup>	20–16	100	<b>70MH-ZKA1G-0100300</b>	<b>70MH-ZKB1G-0100300</b>
		1.5 mm <sup>2</sup>	16–15	100	<b>70MH-ZKA1G-0100400</b>	<b>70MH-ZKB1G-0100400</b>
		2.5 mm <sup>2</sup>	14	100	<b>70MH-ZKA1G-0100500</b>	<b>70MH-ZKB1G-0100500</b>

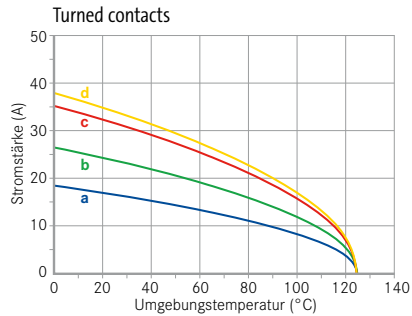
## MODLINK HEAVY A3 – CONTACT INSERTS | Q-SERIES

### Technical Data

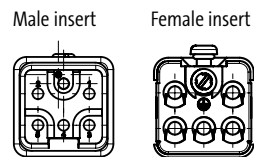
General data	Standard	Value
Size		A3
Number of poles		5 + PE
Connection type		Crimp
Contact carrier material		PC GF gray
Flammability class	UL94	V0
Climate category		40/125/21
Temperature range		-40°C ... +125°C
Approvals		UL, CSA
Technical Data		
Operating voltage		400 V (conductor – conductor), 230 V (conductor – ground)
Operating current		16 A
Degree of pollution	EN 60664-1	3
Overvoltage category	EN 60664-1	III
Insulating material group	EN 60664-1	IIIb
Rated surge voltage	EN 60664-1	6 kV
Current rating	EN 60512-5-2	See derating
Contact resistance	EN 60512-2-1	≤ 5 mΩ
Insulation resistance	EN 60512-3-1	≥ 10 <sup>10</sup> Ω
Mating cycles	EN 60512-9-1	min. 500

### Derating Curves


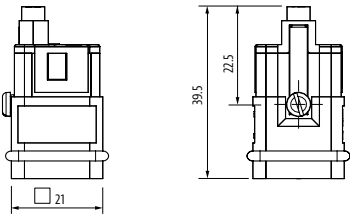

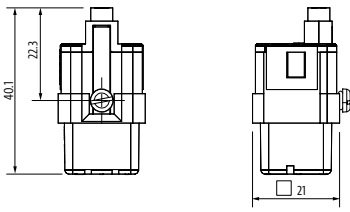
Curve	Cross section
a	1.0 mm <sup>2</sup>
b	1.5 mm <sup>2</sup>
c	2.5 mm <sup>2</sup>
d	4.0 mm <sup>2</sup>




### Contact configuration




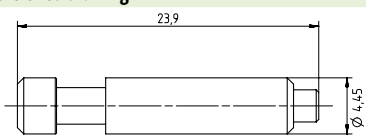
## Inserts

Male	Dimensioned drawing	Description	Art-No.
		Male 5-pole, crimp, 400 V, 16 A	70MH-ES005-AC02020
Female	Dimensioned drawing	Description	Art-No.
		Female 5-pole, crimp, 400 V, 16 A	70MH-EB005-AC02020

## Crimp contacts

Turned crimp contacts   2.5 mm	Form of delivery	for wire cross section	AWG	pc	Art-No.	
					Male contact	Female contact
	Silver-plated	0.5 mm <sup>2</sup>	20	100	70MH-ZKA1S-0200200	70MH-ZKB1S-0200200
		0.75–1.0 mm <sup>2</sup>	18	100	70MH-ZKA1S-0200300	70MH-ZKB1S-0200300
		1.5 mm <sup>2</sup>	16	100	70MH-ZKA1S-0200400	70MH-ZKB1S-0200400
		2.5 mm <sup>2</sup>	14	100	70MH-ZKA1S-0200500	70MH-ZKB1S-0200500
		4.0 mm <sup>2</sup>	12	100	70MH-ZKA1S-0200600	70MH-ZKB1S-0200600
	Gold-plated	0.5 mm <sup>2</sup>	20	100	70MH-ZKA1G-0200200	70MH-ZKB1G-0200200
		0.75–1.0 mm <sup>2</sup>	18	100	70MH-ZKA1G-0200300	70MH-ZKB1G-0200300
		1.5 mm <sup>2</sup>	16	100	70MH-ZKA1G-0200400	70MH-ZKB1G-0200400
		2.5 mm <sup>2</sup>	14	100	70MH-ZKA1G-0200500	70MH-ZKB1G-0200500
		4.0 mm <sup>2</sup>	12	100	70MH-ZKA1G-0200600	70MH-ZKB1G-0200600


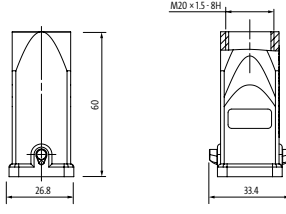

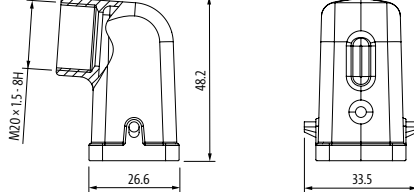
## Accessories

	Dimensioned drawing	Description	Art-No.
		Coding element 10 pieces	70MH-ZC004-1000000

## MODLINK HEAVY A3 – HOUSING | HOODS FOR SINGLE LOCKING LEVER

## Technical Data


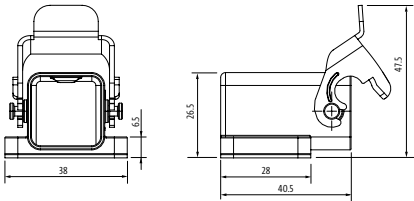

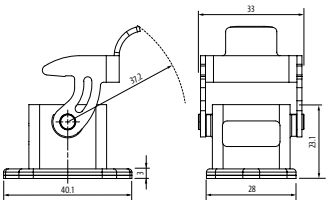

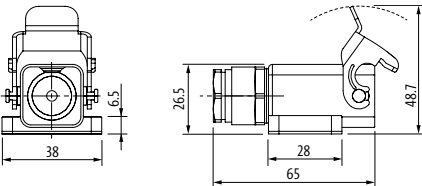

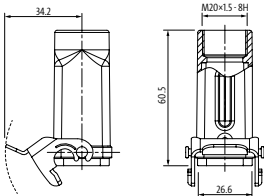
General data	Value
Housing material	Zinc diecast
Housing surface material	Powder-coated
Technical Data	
Housing protection class	IP67
Mating cycles	min. 500

	Dimensioned drawing	Description	M	Art-No.
		A3 Hood Single locking lever Top entry IP67	20	<b>70MH-GTANL-A01B100</b>
		A3 Hood Single locking lever Side entry IP65	20	<b>70MH-GTANL-A02B000</b>

## MODLINK HEAVY A3 – HOUSING | HOUSING WITH SINGLE LOCKING LEVER

### Technical Data

General data	Value
Housing material	Zinc diecast
Housing surface material	Powder-coated
Locking material	Steel (galvanized)
Seal material	NBR
Technical Data	
Housing protection class	IP65 / IP67
Mating cycles	min. 500

	Dimensioned drawing	Description	M	Art-No.
		A3 Bulkhead mounted housing Angled Single locking lever IP65		<b>70MH-GAAL-B000000</b>
		A3 Bulkhead mounted housing Single locking lever IP67		<b>70MH-GAANL-B000100</b>
		A3 surface-mounted housing Closed base Single locking lever Side entry IP65	20	<b>70MH-GSANL-B01B000</b>
		A3 coupling housing Single locking lever Top entry IP65	20	<b>70MH-GKANL-B01B000</b>

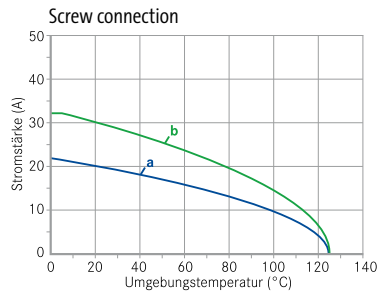
## MODLINK HEAVY A10 – CONTACT INSERTS | A-SERIES

### Technical Data

General data	Standard	Value
Size		A10
Number of poles		10+PE
Connection type		Screw terminal/push-in
Connection cross section		0.5 ... 2.5 mm <sup>2</sup>
Contact carrier material		PA GF gray
Contact material		CuZn (brass)
Contact surface material		Ag (silver)
Flammability class	UL94	V-0
Climate category		40/125/21
Temperature range		-40°C ... +125°C
Approvals		UL
Technical Data		
Operating voltage		250 V
Operating current		16 A
Degree of pollution	EN 60664-1	3
Overvoltage category	EN 60664-1	III
Insulating material group	EN 60664-1	IIIb
Rated surge voltage	EN 60664-1	4 kV
Current rating	EN 60512-5-2	See derating
Contact resistance	EN 60512-2-1	≤ 5 mΩ
Insulation resistance	EN 60512-3-1	≥ 10 <sup>10</sup> Ω
Mating cycles	EN 60512-9-1	min. 500
Terminal screw tightening torque		0.4 Nm

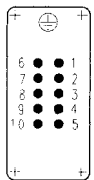
### Derating Curves

Curve	Cross section
a	1.5 mm <sup>2</sup>
b	2.5 mm <sup>2</sup>

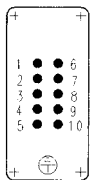


### Contact configuration


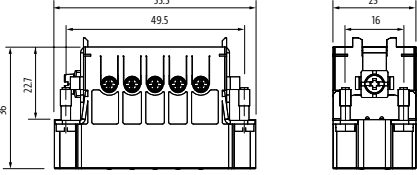

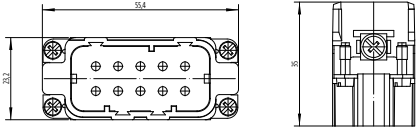

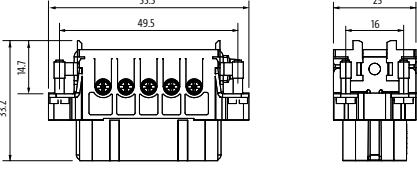

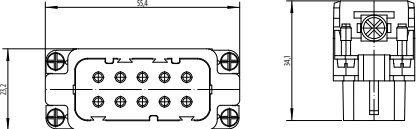
Male insert



Female insert



## Contact Inserts

Male	Dimensioned drawing	Description	Art-No.
		<p>Male 10-pole, Screw terminal, 250 V, 16 A</p>	<p><b>70MH-ES010-BS01020</b></p>
		<p>Male 10-pole, Push-in, 250 V, 16 A</p>	<p><b>70MH-ES010-BP01020</b></p>
Female			
		<p>Female, 10-pole, Screw terminal, 250 V, 16 A</p>	<p><b>70MH-EB010-BS01020</b></p>
		<p>Female, 10-pole, Push-in, 250 V, 16 A</p>	<p><b>70MH-EB010-BP01020</b></p>

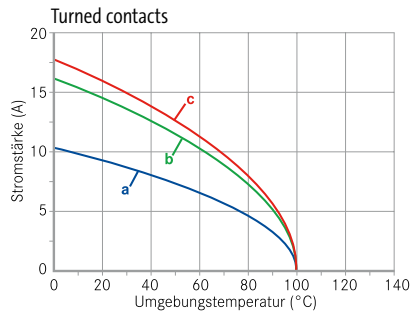
## MODLINK HEAVY A10 – CONTACT INSERTS | D-SERIES

### Technical Data

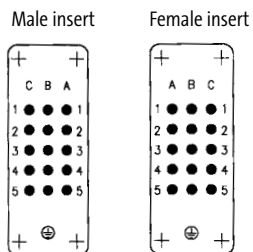
General data	Standard	Value
Size		A10
Number of poles		15 + PE
Connection type		Crimp
Contact carrier material		PC GF gray
Flammability class	UL94	V-0
Climate category		40/125/21
Temperature range		-40°C ... +125°C
Approvals		UL, CSA
Technical Data		
Operating voltage		250 V
Operating current		10 A
Degree of pollution	EN 60664-1	3
Overvoltage category	EN 60664-1	III
Insulating material group	EN 60664-1	IIIa
Rated surge voltage	EN 60664-1	4 kV
Current rating	EN 60512-5-2	See derating
Contact resistance	EN 60512-2-1	≤ 5 mΩ
Insulation resistance	EN 60512-3-1	≥ 10 <sup>10</sup> Ω
Mating cycles	EN 60512-9-1	min. 500

### Derating Curves

Curve	Cross section
a	0.5 mm <sup>2</sup>
b	1.5 mm <sup>2</sup>
c	2.5 mm <sup>2</sup>


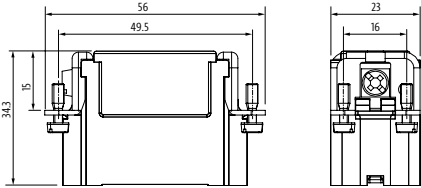

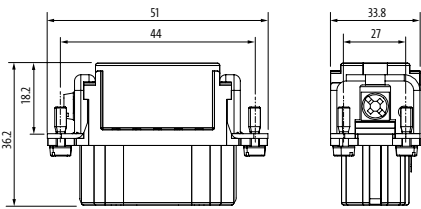


### Contact configuration






## Contact Inserts

Male	Dimensioned drawing	Description	Art-No.
		Male 15-pole, crimp, 250 V, 10 A	<b>70MH-ES015-BC01010</b>
Female	Dimensioned drawing	Description	Art-No.
		Female 15-pole, crimp, 250 V, 10 A	<b>70MH-EB015-BC01010</b>


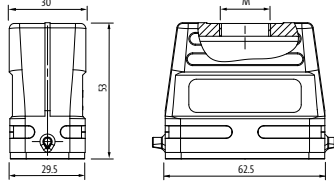
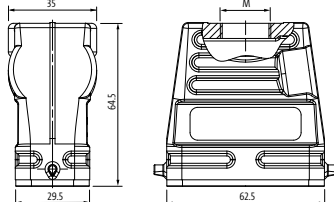

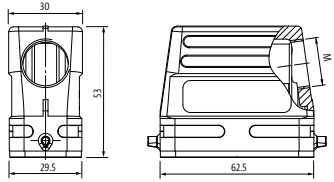
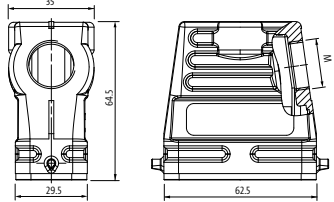
## Crimp contacts

Turned crimp contacts   1.6 mm	Form of delivery	for wire cross section	AWG	pc	Art-No.	
					Male contact	Female contact
	Silver-plated	0.14–0.37 mm <sup>2</sup>	26–22	100	<b>70MH-ZKA1S-0100100</b>	<b>70MH-ZKB1S-0100100</b>
		0.5 mm <sup>2</sup>	20	100	<b>70MH-ZKA1S-0100200</b>	<b>70MH-ZKB1S-0100200</b>
		0.75–1.0 mm <sup>2</sup>	20–16	100	<b>70MH-ZKA1S-0100300</b>	<b>70MH-ZKB1S-0100300</b>
		1.5 mm <sup>2</sup>	16–15	100	<b>70MH-ZKA1S-0100400</b>	<b>70MH-ZKB1S-0100400</b>
		2.5 mm <sup>2</sup>	14	100	<b>70MH-ZKA1S-0100500</b>	<b>70MH-ZKB1S-0100500</b>
	Gold-plated	0.14–0.37 mm <sup>2</sup>	26–22	100	<b>70MH-ZKA1G-0100100</b>	<b>70MH-ZKB1G-0100100</b>
		0.5 mm <sup>2</sup>	20	100	<b>70MH-ZKA1G-0100200</b>	<b>70MH-ZKB1G-0100200</b>
		0.75–1.0 mm <sup>2</sup>	20–16	100	<b>70MH-ZKA1G-0100300</b>	<b>70MH-ZKB1G-0100300</b>
		1.5 mm <sup>2</sup>	16–15	100	<b>70MH-ZKA1G-0100400</b>	<b>70MH-ZKB1G-0100400</b>
		2.5 mm <sup>2</sup>	14	100	<b>70MH-ZKA1G-0100500</b>	<b>70MH-ZKB1G-0100500</b>

## MODLINK HEAVY A10 – HOUSING | HOODS FOR SINGLE LOCKING LEVER

### Technical Data


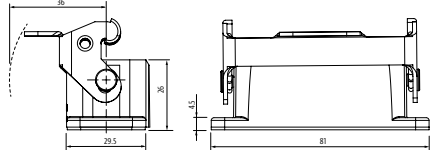

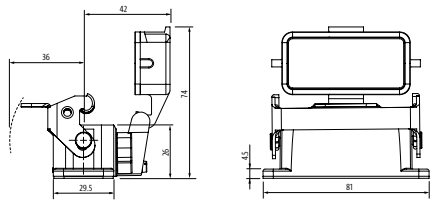

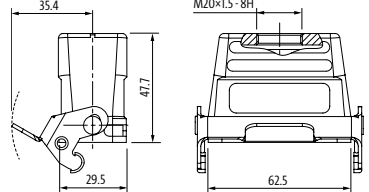
General data	Value
Housing material	Aluminum diecast
Housing surface material	Powder-coated
Seal material	CR
Technical Data	
Housing protection class	IP65
Mating cycles	min. 500

	Dimensioned drawing	Description	M	Art-No.
		A10 Hood Low profile Single locking lever Top entry IP65	20	<b>70MH-GTBNL-A01B000</b>
			25	<b>70MH-GTBNL-A01C000</b>
		A10 Hood High profile Single locking lever Top entry IP65	20	<b>70MH-GTBHL-A01B000</b>
			25	<b>70MH-GTBHL-A01C000</b>
		A10 Hood Low profile Single locking lever Side entry IP65	20	<b>70MH-GTBNL-A02B000</b>
			25	<b>70MH-GTBNL-A02C000</b>
		A10 Hood High profile Single locking lever Side entry IP65	20	<b>70MH-GTBHL-A02B000</b>
			25	<b>70MH-GTBHL-A02C000</b>

## MODLINK HEAVY A10 – HOUSING | HOUSING WITH SINGLE LOCKING LEVER

### Technical Data

General data	Value
Housing material	Aluminum diecast
Housing surface material	Powder-coated
Locking material	Steel (galvanized)
Seal material	CR
Technical Data	
Housing protection class	IP65
Mating cycles	min. 500

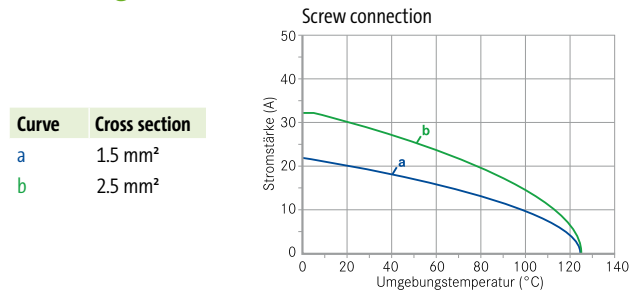
	Dimensioned drawing	Description	M	Art-No.
		A10 Bulkhead mounted housing Single locking lever IP65		<b>70MH-GABNL-B000000</b>
		A10 Bulkhead mounted housing with plastic cover Single locking lever IP65		<b>70MH-GABNL-B000010</b>
		A10 coupling housing Single locking lever IP65 Top entry	20	<b>70MH-GKBNL-B01B000</b>

## MODLINK HEAVY A16 – CONTACT INSERTS | A-SERIES

### Technical Data

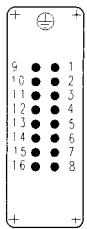
General data	Standard	Value
Size		A16
Number of poles		16 + PE
Connection type		Screw terminal/push-in
Connection cross section		0.5 ... 2.5 mm <sup>2</sup>
Contact carrier material		PA GF gray
Contact material		CuZn (brass)
Contact surface material		Ag (silver)
Flammability class	UL94	V-0
Climate category		40/125/21
Temperature range		-40°C ... +125°C
Approvals		UL
Technical Data		
Operating voltage		250 V
Operating current		16 A
Degree of pollution	EN 60664-1	3
Overvoltage category	EN 60664-1	III
Insulating material group	EN 60664-1	IIIb
Rated surge voltage	EN 60664-1	4 kV
Current rating	EN 60512-5-2	See derating
Contact resistance	EN 60512-2-1	≤ 5 mΩ
Insulation resistance	EN 60512-3-1	≥ 10 <sup>10</sup> Ω
Mating cycles	EN 60512-9-1	min. 500
Terminal screw tightening torque		0.4 Nm

### Derating Curves

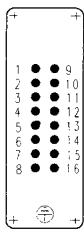


### Contact configuration


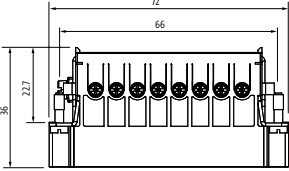

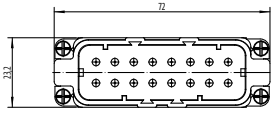

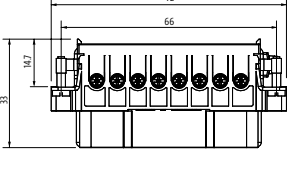

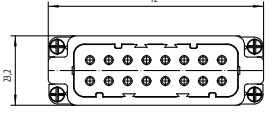
Male insert



Female insert



## Contact Inserts

Male	Dimensioned drawing		Description	Art-No.
			Male 16-pole, Screw terminal, 250 V, 16 A	<b>70MH-ES016-CS01020</b>
			Male 16-pole, Push-in, 250 V, 16 A	<b>70MH-ES016-CP01020</b>
Female				
			Female, 16-pole, Screw terminal, 250 V, 16 A	<b>70MH-EB016-CS01020</b>
			Female, 16-pole, Push-in, 250 V, 16 A	<b>70MH-EB016-CP01020</b>

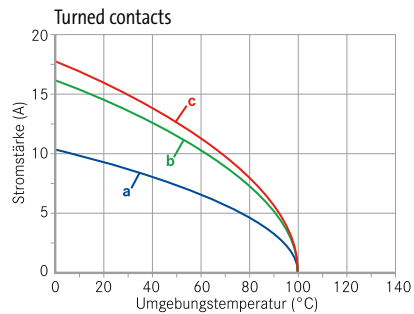
## MODLINK HEAVY A16 – CONTACT INSERTS | D-SERIES

### Technical Data

General data	Standard	Value
Size		A16
Number of poles		25 + PE
Connection type		Crimp
Contact carrier material		PC GF gray
Flammability class	UL94	V-0
Climate category		40/125/21
Temperature range		-40°C... +125°C
Approvals		UL, CSA
Technical Data		
Operating voltage		250 V
Operating current		10 A
Degree of pollution	EN 60664-1	3
Overvoltage category	EN 60664-1	III
Insulating material group	EN 60664-1	IIIa
Rated surge voltage	EN 60664-1	4 kV
Current rating	EN 60512-5-2	See derating
Contact resistance	EN 60512-2-1	≤ 5 mΩ
Insulation resistance	EN 60512-3-1	≥ 10 <sup>10</sup> Ω
Mating cycles	EN 60512-9-1	min. 500

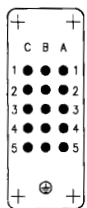
### Derating Curves

Curve	Cross section
a	0.5 mm <sup>2</sup>
b	1.5 mm <sup>2</sup>
c	2.5 mm <sup>2</sup>

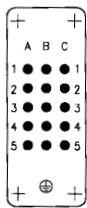


### Contact configuration


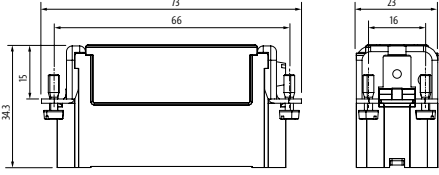

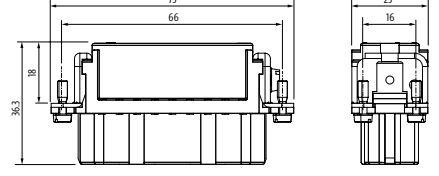
Male insert




Female insert



## Contact Inserts

Male	Dimensioned drawing	Description	Art-No.
		Male 25-pole, crimp, 250 V, 10 A	<b>70MH-ES025-CC01010</b>
Female	Dimensioned drawing	Description	Art-No.
		Female 25-pole, crimp, 250 V, 10 A	<b>70MH-EB025-CC01010</b>


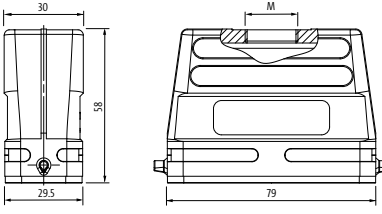
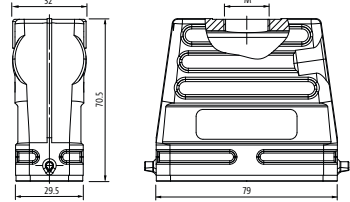

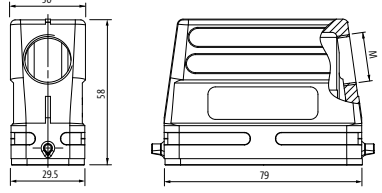
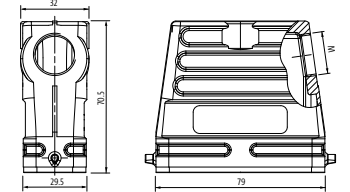
## Crimp contacts

Turned crimp contacts   1.6 mm	Form of delivery	for wire cross section	AWG	pc	Art-No.	
					Male contact	Female contact
	Silver-plated	0.14–0.37 mm <sup>2</sup>	26–22	100	<b>70MH-ZKA1S-0100100</b>	<b>70MH-ZKB1S-0100100</b>
		0.5 mm <sup>2</sup>	20	100	<b>70MH-ZKA1S-0100200</b>	<b>70MH-ZKB1S-0100200</b>
		0.75–1.0 mm <sup>2</sup>	20–16	100	<b>70MH-ZKA1S-0100300</b>	<b>70MH-ZKB1S-0100300</b>
		1.5 mm <sup>2</sup>	16–15	100	<b>70MH-ZKA1S-0100400</b>	<b>70MH-ZKB1S-0100400</b>
		2.5 mm <sup>2</sup>	14	100	<b>70MH-ZKA1S-0100500</b>	<b>70MH-ZKB1S-0100500</b>
	Gold-plated	0.14–0.37 mm <sup>2</sup>	26–22	100	<b>70MH-ZKA1G-0100100</b>	<b>70MH-ZKB1G-0100100</b>
		0.5 mm <sup>2</sup>	20	100	<b>70MH-ZKA1G-0100200</b>	<b>70MH-ZKB1G-0100200</b>
		0.75–1.0 mm <sup>2</sup>	20–16	100	<b>70MH-ZKA1G-0100300</b>	<b>70MH-ZKB1G-0100300</b>
		1.5 mm <sup>2</sup>	16–15	100	<b>70MH-ZKA1G-0100400</b>	<b>70MH-ZKB1G-0100400</b>
		2.5 mm <sup>2</sup>	14	100	<b>70MH-ZKA1G-0100500</b>	<b>70MH-ZKB1G-0100500</b>

## MODLINK HEAVY A16 – HOUSING | HOODS FOR SINGLE LOCKING LEVER

### Technical Data

General data	Value
Housing material	Aluminum diecast
Housing surface material	Powder-coated
Seal material	CR
Technical Data	
Housing protection class	IP65
Mating cycles	min. 500


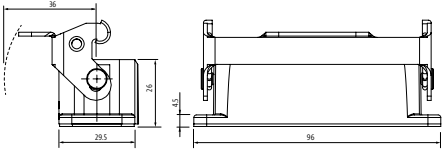

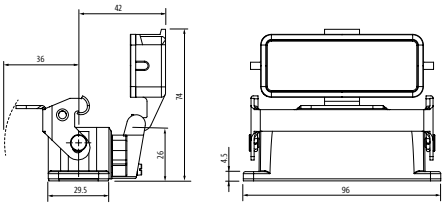
	Dimensioned drawing	Description	M	Art-No.
		A16 Hood Low profile Single locking lever Top entry IP65	20	<b>70MH-GTCNL-A01B000</b>
			25	<b>70MH-GTCNL-A01C000</b>
		A16 Hood High profile Single locking lever Top entry IP65	20	<b>70MH-GTCHL-A01B000</b>
			25	<b>70MH-GTCHL-A01C000</b>
		A16 Hood Low profile Single locking lever Side entry IP65	20	<b>70MH-GTCNL-A02B000</b>
			25	<b>70MH-GTCNL-A02C000</b>
		A16 Hood High profile Single locking lever Side entry IP65	20	<b>70MH-GTCHL-A02B000</b>
			25	<b>70MH-GTCHL-A02C000</b>



## MODLINK HEAVY A16 – HOUSING | HOUSING WITH SINGLE LOCKING LEVER

### Technical Data

General data	Value
Housing material	Aluminum diecast
Housing surface material	Powder-coated
Locking material	Steel (galvanized)
Seal material	CR
Technical Data	
Housing protection class	IP65
Mating cycles	min. 500

	Dimensioned drawing	Description	M	Art-No.
		A16 Bulkhead mounted housing Single locking lever IP65		<b>70MH-GACNL-B000000</b>
		A16 Bulkhead mounted housing with plastic cover Single locking lever IP65		<b>70MH-GACNL-B000010</b>

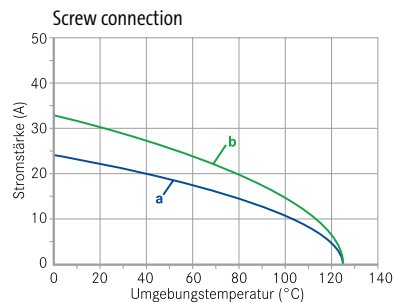
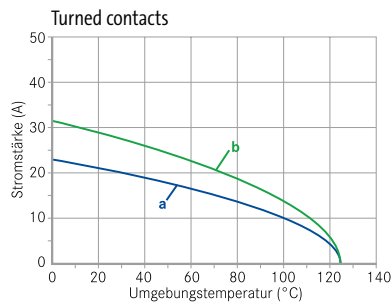
## MODLINK HEAVY B6 – -CONTACT INSERTS | E-SERIES

### Technical Data

General data	Standard	Value
Size		B6
Number of poles		6 + PE
Connection type		Screw terminal/crimp/push-in
Connection cross section		0.5 ... 2.5 mm <sup>2</sup>
Contact carrier material		PA GF gray / PA GF gray / PA
Contact material		CuZn (brass)
Contact surface material		Ag (silver)
Flammability class	UL94	V-0
Climate category		40 / 125 / 10
Temperature range		-40°C ... +125°C
Approvals		UL, CSA
Technical Data		
Operating voltage		500 V
Operating current		16 A
Degree of pollution	EN 60664-1	3
Overvoltage category	EN 60664-1	III
Insulating material group	EN 60664-1	IIIb
Rated surge voltage	EN 60664-1	6 kV
Current rating	EN 60512-5-2	See derating
Contact resistance	EN 60512-2-1	≤ 5 mΩ
Insulation resistance	EN 60512-3-1	≥ 10 <sup>10</sup> Ω
Mating cycles	EN 60512-9-1	min. 500
Terminal screw tightening torque		0.5 Nm

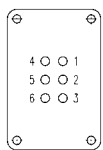
### Derating Curves

Curve	Cross section
a	1.5 mm <sup>2</sup>
b	2.5 mm <sup>2</sup>

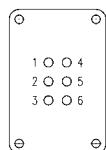


### Contact configuration


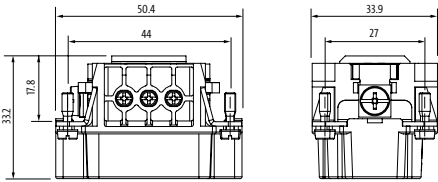

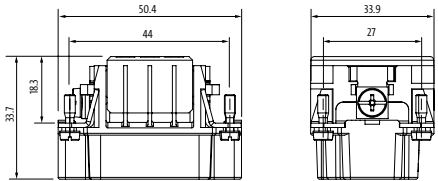

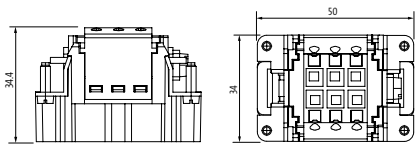

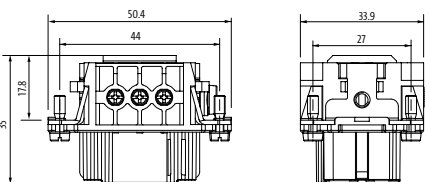

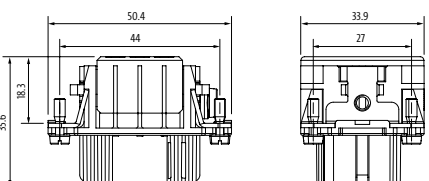

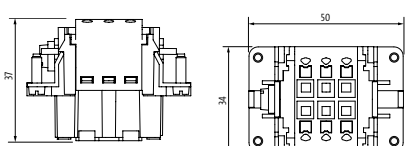
Male insert




Female insert



## Contact Inserts

Male	Dimensioned drawing	Description	Art-No.
		Male 6-pole, screw terminal, 500 V, 16 A	<b>70MH-ES006-DS03020</b>
		Male 6-pole, crimp, 500 V, 16 A	<b>70MH-ES006-DC03020</b>
		Male 6-pole, push-in, 500 V, 16 A	<b>70MH-ES006-DP03020</b>
Female			
		Female 6-pole, screw terminal, 500 V, 16 A	<b>70MH-EB006-DS03020</b>
		Female 6-pole, crimp, 500 V, 16 A	<b>70MH-EB006-DC03020</b>
		Female 6-pole, push-in, 500 V, 16 A	<b>70MH-EB006-DP03020</b>

## Crimp contacts

Turned crimp contacts   2.5 mm	Form of delivery	for wire cross section	AWG	pc	Art-No.	Art-No.
					Male contact	Female contact
	Silver-plated	0.5 mm <sup>2</sup>	20	100	<b>70MH-ZKA1S-0200200</b>	<b>70MH-ZKB1S-0200200</b>
		0.75–1.0 mm <sup>2</sup>	18	100	<b>70MH-ZKA1S-0200300</b>	<b>70MH-ZKB1S-0200300</b>
		1.5 mm <sup>2</sup>	16	100	<b>70MH-ZKA1S-0200400</b>	<b>70MH-ZKB1S-0200400</b>
		2.5 mm <sup>2</sup>	14	100	<b>70MH-ZKA1S-0200500</b>	<b>70MH-ZKB1S-0200500</b>
		4.0 mm <sup>2</sup>	12	100	<b>70MH-ZKA1S-0200600</b>	<b>70MH-ZKB1S-0200600</b>
	Gold-plated	0.5 mm <sup>2</sup>	20	100	<b>70MH-ZKA1G-0200200</b>	<b>70MH-ZKB1G-0200200</b>
		0.75–1.0 mm <sup>2</sup>	18	100	<b>70MH-ZKA1G-0200300</b>	<b>70MH-ZKB1G-0200300</b>
		1.5 mm <sup>2</sup>	16	100	<b>70MH-ZKA1G-0200400</b>	<b>70MH-ZKB1G-0200400</b>
		2.5 mm <sup>2</sup>	14	100	<b>70MH-ZKA1G-0200500</b>	<b>70MH-ZKB1G-0200500</b>
		4.0 mm <sup>2</sup>	12	100	<b>70MH-ZKA1G-0200600</b>	<b>70MH-ZKB1G-0200600</b>

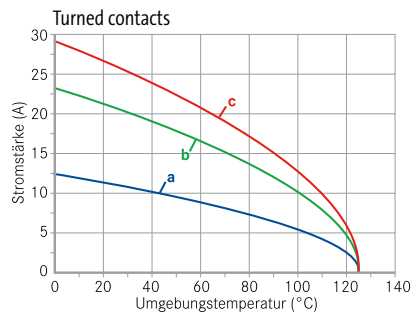
## MODLINK HEAVY B6 – CONTACT INSERTS | EE-SERIES

### Technical Data

General data	Standard	Value
Size		B6
Number of poles		10 + PE
Connection type		Crimp
Contact carrier material		PC GF gray
Flammability class	UL94	V-0
Climate category		40/125/21
Temperature range		-40°C... +125°C
Approvals		UL, CSA
Technical Data		
Operating voltage		500 V
Operating current		16 A
Degree of pollution	EN 60664-1	3
Overvoltage category	EN 60664-1	III
Insulating material group	EN 60664-1	IIIa
Rated surge voltage	EN 60664-1	6 kV
Current rating	EN 60512-5-2	See derating
Contact resistance	EN 60512-2-1	≤ 5 mΩ
Insulation resistance	EN 60512-3-1	≥ 10 <sup>10</sup> Ω
Mating cycles	EN 60512-9-1	min. 500

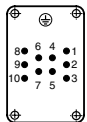
### Derating Curves

Curve	Cross section
a	0.5 mm <sup>2</sup>
b	2.5 mm <sup>2</sup>
c	4.0 mm <sup>2</sup>

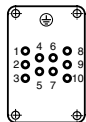


### Contact configuration


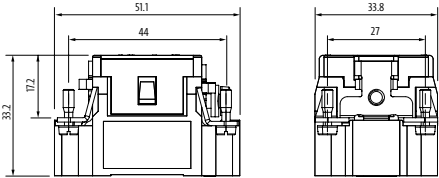

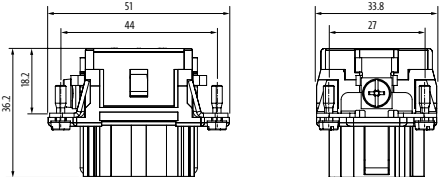
Male insert




Female insert



## Contact Inserts

Male	Dimensioned drawing	Description	Art-No.
		Male 10-pole, crimp, 500 V, 16 A	<b>70MH-ES010-DC03020</b>
Female	Dimensioned drawing	Description	Art-No.
		Female 10-pole, crimp, 500 V, 16 A	<b>70MH-EB010-DC03020</b>


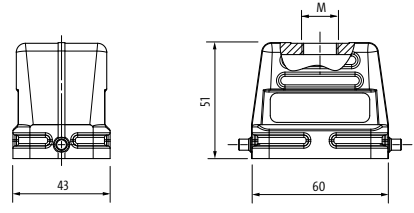
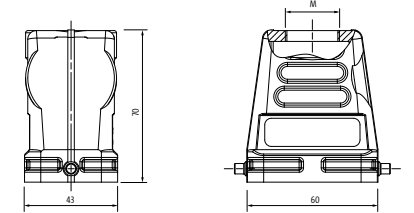

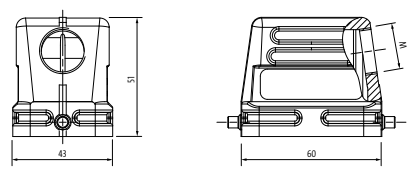
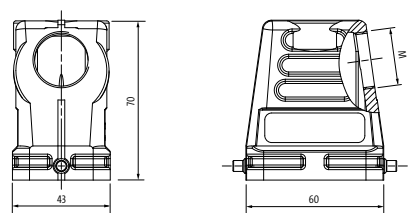

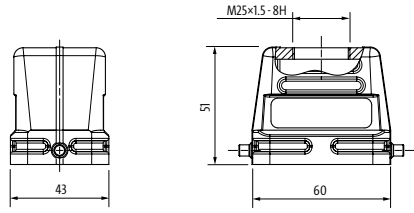

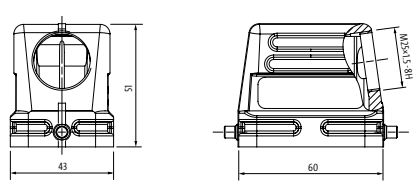
## Crimp contacts

Turned crimp contacts   2.5 mm	Form of delivery	for wire cross section	AWG	pc	Art-No.	Art-No.
					Male contact	Female contact
	Silver-plated	0.5 mm <sup>2</sup>	20	100	<b>70MH-ZKA1S-0200200</b>	<b>70MH-ZKB1S-0200200</b>
		0.75–1.0 mm <sup>2</sup>	18	100	<b>70MH-ZKA1S-0200300</b>	<b>70MH-ZKB1S-0200300</b>
		1.5 mm <sup>2</sup>	16	100	<b>70MH-ZKA1S-0200400</b>	<b>70MH-ZKB1S-0200400</b>
		2.5 mm <sup>2</sup>	14	100	<b>70MH-ZKA1S-0200500</b>	<b>70MH-ZKB1S-0200500</b>
		4.0 mm <sup>2</sup>	12	100	<b>70MH-ZKA1S-0200600</b>	<b>70MH-ZKB1S-0200600</b>
	Gold-plated	0.5 mm <sup>2</sup>	20	100	<b>70MH-ZKA1G-0200200</b>	<b>70MH-ZKB1G-0200200</b>
		0.75–1.0 mm <sup>2</sup>	18	100	<b>70MH-ZKA1G-0200300</b>	<b>70MH-ZKB1G-0200300</b>
		1.5 mm <sup>2</sup>	16	100	<b>70MH-ZKA1G-0200400</b>	<b>70MH-ZKB1G-0200400</b>
		2.5 mm <sup>2</sup>	14	100	<b>70MH-ZKA1G-0200500</b>	<b>70MH-ZKB1G-0200500</b>
		4.0 mm <sup>2</sup>	12	100	<b>70MH-ZKA1G-0200600</b>	<b>70MH-ZKB1G-0200600</b>

## MODLINK HEAVY B6 – HOUSING | HOODS FOR SINGLE LOCKING LEVER

### Technical Data


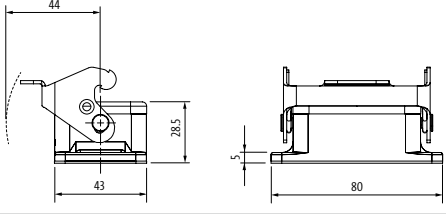

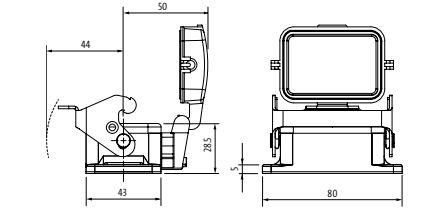

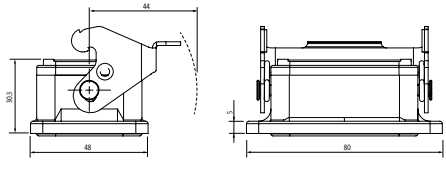

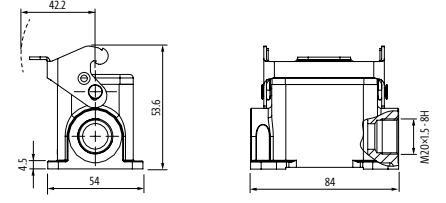
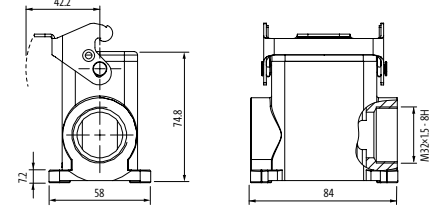
General data	Value
Housing material	Aluminum diecast
Housing surface material	Powder-coated
Technical Data	
Housing protection class	IP65 / IP67
Mating cycles	min. 500

	Dimensioned drawing	Description	M	Art-No.
		B6 Hood Low profile Single locking lever Top entry IP65	16	<b>70MH-GTDNL-A01A000</b>
			20	<b>70MH-GTDNL-A01B000</b>
		B6 Hood High profile Single locking lever Top entry IP65	25	<b>70MH-GTDHL-A01C000</b>
			32	<b>70MH-GTDHL-A01D000</b>
		B6 Hood Low profile Single locking lever Side entry IP65	20	<b>70MH-GTDNL-A02B000</b>
			25	<b>70MH-GTDNL-A02C000</b>
		B6 Hood High profile Single locking lever Side entry IP65	25	<b>70MH-GTDHL-A02C000</b>
			32	<b>70MH-GTDHL-A02D000</b>
		B6 Hood Low profile Single locking lever Top entry IP67	25	<b>70MH-GTDNL-A01C100</b>
		B6 Hood Low profile Single locking lever Side entry IP67	25	<b>70MH-GTDNL-A02C100</b>

## MODLINK HEAVY B6 – HOUSING | HOUSING WITH SINGLE LOCKING LEVER

### Technical Data


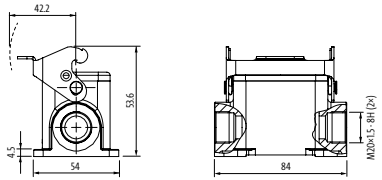
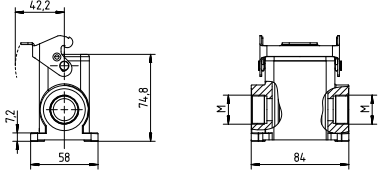

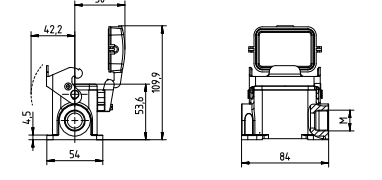
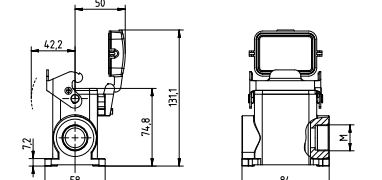

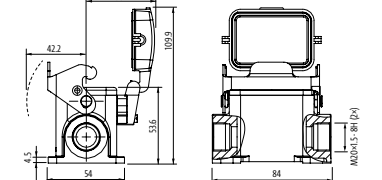
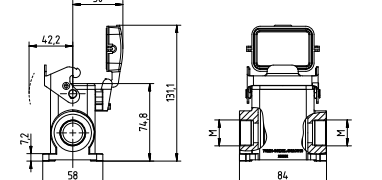
General data	Value
Housing material	Aluminum diecast
Housing surface material	Powder-coated
Locking material	Steel (galvanized)
Seal material	NBR / CR
Technical Data	
Housing protection class	IP65 / IP67
Mating cycles	min. 500

	Dimensioned drawing	Description	M	Art-No.
		B6 Bulkhead mounted housing Single locking lever IP65		<b>70MH-GADNL-B000000</b>
		B6 Bulkhead mounted housing with plastic cover single lever IP65		<b>70MH-GADNL-B000010</b>
		B6 Bulkhead mounted housing Single locking lever IP67		<b>70MH-GADNL-B000100</b>
		B6 Surface mounted housing Low profile Single locking lever Side entry IP65	20	<b>70MH-GSDNL-B01B000</b>
		B6 Surface mounted housing High profile Single locking lever Side entry IP65	32	<b>70MH-GSDHL-B01D000</b>

## MODLINK HEAVY B6 – HOUSING | HOUSING WITH SINGLE LOCKING LEVER

## Technical Data

General data	Value
Housing material	Aluminum diecast
Housing surface material	Powder-coated
Locking material	Steel (galvanized)
Seal material	NBR / CR
Technical Data	
Housing protection class	IP65 / IP67
Mating cycles	min. 500

	Dimensioned drawing	Description	M	Art-No.
		B6 Surface mounted housing Low profile Single locking lever Two side entries IP65	20	<b>70MH-GSDNL-B02B000</b>
		B6 Surface mounted housing High profile Single locking lever Two side entries IP65	25 32	<b>70MH-GSDHL-B02C000</b> <b>70MH-GSDHL-B02D000</b>
		B6 Surface mounted housing with plastic cover Low profile Single locking lever Side entry IP65	20 25	<b>70MH-GSDNL-B01B010</b> <b>70MH-GSDNL-B01C010</b>
		B6 Surface mounted housing with plastic cover High profile Single locking lever Side entry IP65	25 32	<b>70MH-GSDHL-B01C010</b> <b>70MH-GSDHL-B01D010</b>
		B6 Surface mounted housing with plastic cover Low profile Single locking lever Two side entries IP65	20	<b>70MH-GSDNL-B02B010</b>
		B6 Surface mounted housing with plastic cover High profile Single locking lever Two side entries IP65	25 32	<b>70MH-GSDHL-B02C010</b> <b>70MH-GSDHL-B02D010</b>




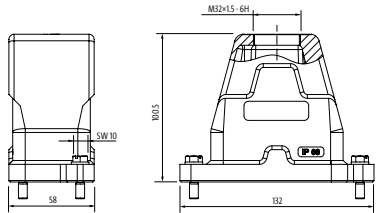
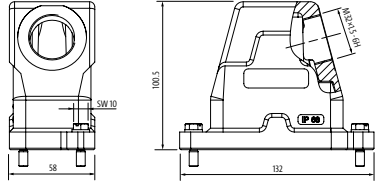
NOTES

A large grid of small dots for taking notes, covering the majority of the page below the 'NOTES' header.

## MODLINK HEAVY B6 – HOUSING | HOUSING TOP PARTS WITH SCREW LOCKING

## Technical Data


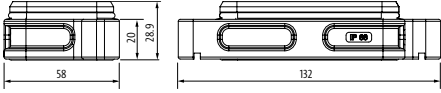

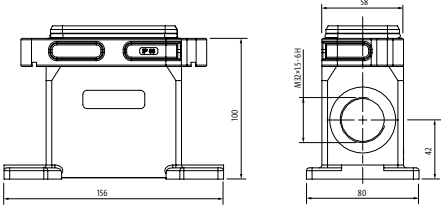
General data	Value
Housing material	Aluminum diecast
Housing surface material	Powder-coated
Locking material	Stainless steel
Seal material	Silicone
Technical Data	
Housing protection class	IP68
Mating cycles	min. 500

	Dimensioned drawing	Description	M	Art-No.
		B6 Hood Screw locking Top entry IP68	32	<b>70MH-GTDNS-A01D200</b>
		B6 Hood Screw locking Side entry IP68	32	<b>70MH-GTDNS-A02D200</b>

## MODLINK HEAVY B6 – HOUSING | HOUSING TOP PARTS FOR SCREW LOCKING

### Technical Data

General data	Value
Housing material	Aluminum diecast
Housing surface material	Powder-coated
Seal material	Silicone
Technical Data	
Housing protection class	IP68
Mating cycles	min. 500

	Dimensioned drawing	Description	M	Art-No.
		B6 Bulkhead mounted housing Screw locking IP68		<b>70MH-GADNS-B000200</b>
		B6 Surface mounted housing Screw locking Side entry IP68	32	<b>70MH-GSDNS-B01D200</b>

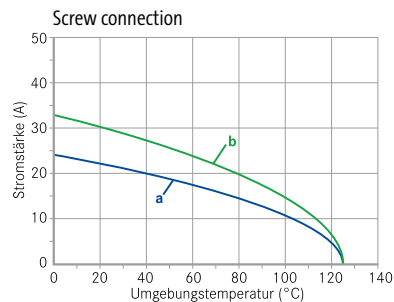
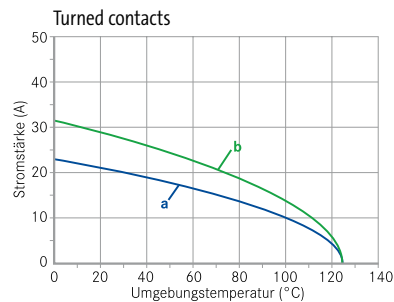
## MODLINK HEAVY B10 – CONTACT INSERTS | E-SERIES

### Technical Data

General data	Standard	Value
Size		B10
Number of poles		10 + PE
Connection type		Screw terminal / crimp / push-in
Connection cross section		0.5 ... 2.5 mm <sup>2</sup>
Contact carrier material		PA GF gray / PA GF gray / PA
Contact material		CuZn (brass)
Contact surface material		Ag (silver)
Flammability class	UL94	V-0
Climate category		40/125/10
Temperature range		-40°C ... +125°C
Approvals		UL, CSA
Technical Data		
Operating voltage		500 V
Operating current		16 A
Degree of pollution	EN 60664-1	3
Overvoltage category	EN 60664-1	III
Insulating material group	EN 60664-1	IIIb
Rated surge voltage	EN 60664-1	6 kV
Current rating	EN 60512-5-2	See derating
Contact resistance	EN 60512-2-1	≤ 5 mΩ
Insulation resistance	EN 60512-3-1	≥ 10 <sup>10</sup> Ω
Mating cycles	EN 60512-9-1	min. 500
Terminal screw tightening torque		0.5 Nm

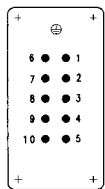
### Derating Curves

Curve	Cross section
a	1.5 mm <sup>2</sup>
b	2.5 mm <sup>2</sup>

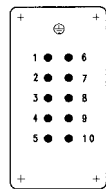


### Contact configuration


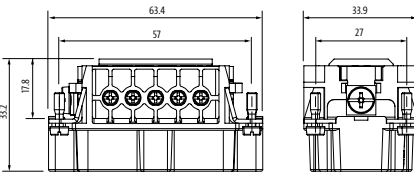

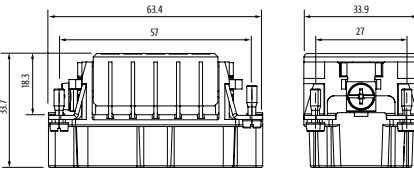

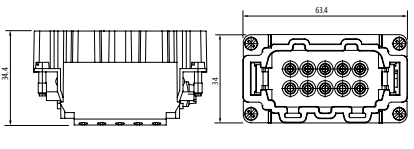

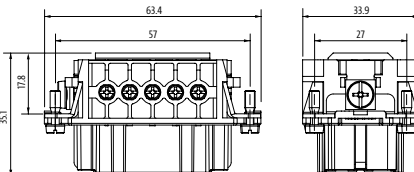

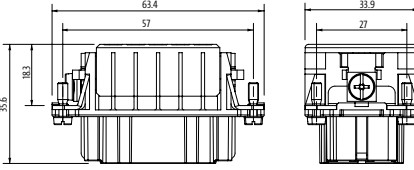

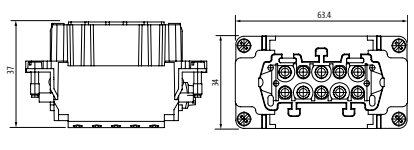
Male insert




Female insert



## Contact Inserts

Male	Dimensioned drawing	Description	Art-No.
		Male 10-pole, screw terminal, 500 V, 16 A	<b>70MH-ES010-ES03020</b>
		Male 10-pole, crimp, 500 V, 16 A	<b>70MH-ES010-EC03020</b>
		Male 10-pole, push-in, 500 V, 16 A	<b>70MH-ES010-EP03020</b>
Female	Dimensioned drawing	Description	Art-No.
		Female 10-pole, screw terminal, 500 V, 16 A	<b>70MH-EB010-ES03020</b>
		Female 10-pole, crimp, 500 V, 16 A	<b>70MH-EB010-EC03020</b>
		Female 10-pole, push-in, 500 V, 16 A	<b>70MH-EB010-EP03020</b>

## Crimp contacts

Turned crimp contacts   2.5 mm	Form of delivery	for wire cross section	AWG	pc	Art-No.	Art-No.
					Male contact	Female contact
	Silver-plated	0.5 mm <sup>2</sup>	20	100	<b>70MH-ZKA1S-0200200</b>	<b>70MH-ZKB1S-0200200</b>
		0.75–1.0 mm <sup>2</sup>	18	100	<b>70MH-ZKA1S-0200300</b>	<b>70MH-ZKB1S-0200300</b>
		1.5 mm <sup>2</sup>	16	100	<b>70MH-ZKA1S-0200400</b>	<b>70MH-ZKB1S-0200400</b>
		2.5 mm <sup>2</sup>	14	100	<b>70MH-ZKA1S-0200500</b>	<b>70MH-ZKB1S-0200500</b>
		4.0 mm <sup>2</sup>	12	100	<b>70MH-ZKA1S-0200600</b>	<b>70MH-ZKB1S-0200600</b>
	Gold-plated	0.5 mm <sup>2</sup>	20	100	<b>70MH-ZKA1G-0200200</b>	<b>70MH-ZKB1G-0200200</b>
		0.75–1.0 mm <sup>2</sup>	18	100	<b>70MH-ZKA1G-0200300</b>	<b>70MH-ZKB1G-0200300</b>
		1.5 mm <sup>2</sup>	16	100	<b>70MH-ZKA1G-0200400</b>	<b>70MH-ZKB1G-0200400</b>
		2.5 mm <sup>2</sup>	14	100	<b>70MH-ZKA1G-0200500</b>	<b>70MH-ZKB1G-0200500</b>
		4.0 mm <sup>2</sup>	12	100	<b>70MH-ZKA1G-0200600</b>	<b>70MH-ZKB1G-0200600</b>

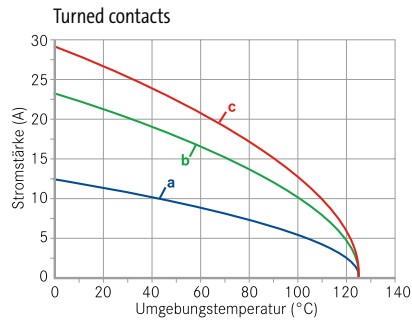
## MODLINK HEAVY B10 – CONTACT INSERTS | EE-SERIES

### Technical Data

General data	Standard	Value
Size		B10
Number of poles		18 + PE
Connection type		Crimp
Contact carrier material		PA GF gray
Flammability class	UL94	V-0
Climate category		40/125/10
Temperature range		-40°C ... +125°C
Approvals		UL, CSA
Technical Data		
Operating voltage		500 V
Operating current		16 A
Degree of pollution	EN 60664-1	3
Overtoltage category	EN 60664-1	III
Insulating material group	EN 60664-1	IIIa
Rated surge voltage	EN 60664-1	6 kV
Current rating	EN 60512-5-2	See derating
Contact resistance	EN 60512-2-1	≤ 5 mΩ
Insulation resistance	EN 60512-3-1	≥ 10 <sup>10</sup> Ω
Mating cycles	EN 60512-9-1	min. 500
Terminal screw tightening torque		0.5 Nm

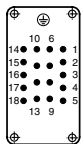
### Derating Curves

Curve	Cross section
a	0.5 mm <sup>2</sup>
b	2.5 mm <sup>2</sup>
c	4.0 mm <sup>2</sup>

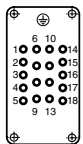


### Contact configuration


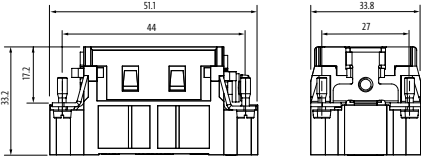

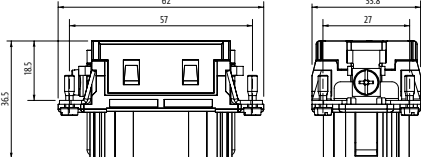
Male insert




Female insert



## Contact Inserts

Male	Dimensioned drawing	Description	Art-No.
		Male 18-pole, crimp, 500 V, 16 A	<b>70MH-ES018-EC03020</b>
Female	Dimensioned drawing	Description	Art-No.
		Female 18-pole, crimp, 500 V, 16 A	<b>70MH-EB018-EC03020</b>

## Crimp contacts

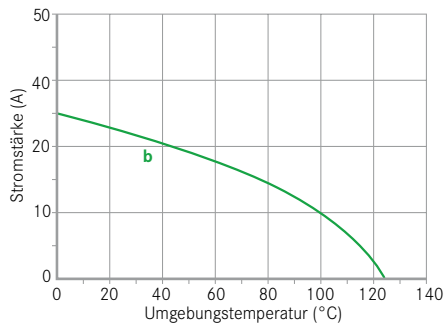
Turned crimp contacts   2.5 mm	Form of delivery	for wire cross section	AWG	pc	Art-No.	
					Male contact	Female contact
	Silver-plated	0.5 mm <sup>2</sup>	20	100	<b>70MH-ZKA1S-0200200</b>	<b>70MH-ZKB1S-0200200</b>
		0.75–1.0 mm <sup>2</sup>	18	100	<b>70MH-ZKA1S-0200300</b>	<b>70MH-ZKB1S-0200300</b>
		1.5 mm <sup>2</sup>	16	100	<b>70MH-ZKA1S-0200400</b>	<b>70MH-ZKB1S-0200400</b>
		2.5 mm <sup>2</sup>	14	100	<b>70MH-ZKA1S-0200500</b>	<b>70MH-ZKB1S-0200500</b>
		4.0 mm <sup>2</sup>	12	100	<b>70MH-ZKA1S-0200600</b>	<b>70MH-ZKB1S-0200600</b>
	Gold-plated	0.5 mm <sup>2</sup>	20	100	<b>70MH-ZKA1G-0200200</b>	<b>70MH-ZKB1G-0200200</b>
		0.75–1.0 mm <sup>2</sup>	18	100	<b>70MH-ZKA1G-0200300</b>	<b>70MH-ZKB1G-0200300</b>
		1.5 mm <sup>2</sup>	16	100	<b>70MH-ZKA1G-0200400</b>	<b>70MH-ZKB1G-0200400</b>
		2.5 mm <sup>2</sup>	14	100	<b>70MH-ZKA1G-0200500</b>	<b>70MH-ZKB1G-0200500</b>
		4.0 mm <sup>2</sup>	12	100	<b>70MH-ZKA1G-0200600</b>	<b>70MH-ZKB1G-0200600</b>

## MODLINK HEAVY B10 – CONTACT INSERTS | HV-SERIES

### Technical Data

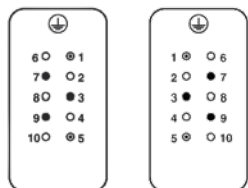
General data	Standard	Value
Size		B10
Number of poles		3 + 2 + PE
Connection type		Push-in
Connection cross section		0.14 ... 2.5 mm <sup>2</sup>
Contact carrier material		PA
Contact material		Copper alloy
Contact surface material		Ag (silver)
Flammability class	UL94	V-0
Temperature range		-40°C ... +125°C
Approvals		UL, CSA
Technical Data		
Operating voltage		800 / 500 V
Operating current		16 A
Degree of pollution	EN 60664-1	3
Overvoltage category	EN 60664-1	III
Insulating material group	EN 60664-1	IIIa
Rated surge voltage	EN 60664-1	8 / 6 kV
Current rating	EN 60512-5-2	See derating
Mating cycles	EN 60512-9-1	min. 500

### Derating Curves



### Contact configuration


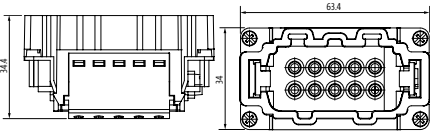

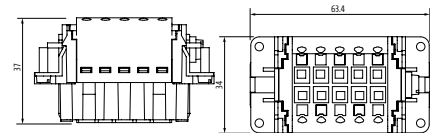
Male insert      Female insert



ST      ● Arbeitskontakt      BU  
 ○ Schaltkontakt  
 ○ ohne Kontakt




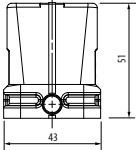
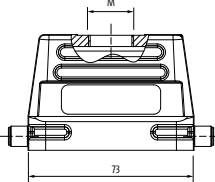
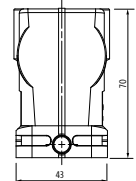
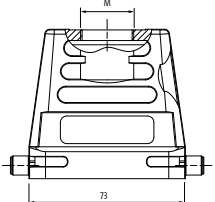

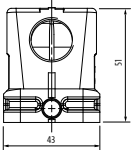
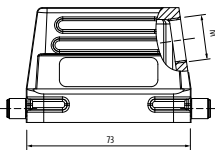
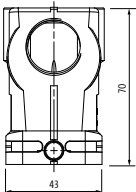
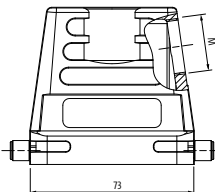
## Contact Inserts

Male	Dimensioned drawing	Description	Art-No.
		<p>Male 3 + 2-pole, push-in, 800 / 500 V, 16 A</p>	<p><b>70MH-ES3U2-EP05020</b></p>
<p><b>Female</b></p> 		<p>Female 3 + 2-pole, push-in, 800 / 500 V, 16 A</p>	<p><b>70MH-EB3U2-EP05020</b></p>

## MODLINK HEAVY B10 – HOUSING | HOODS FOR SINGLE LOCKING LEVER

### Technical Data


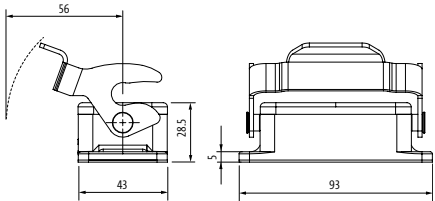

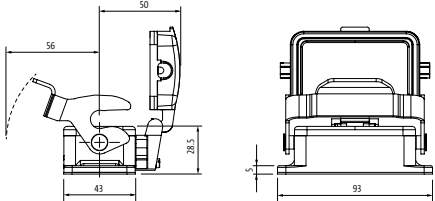

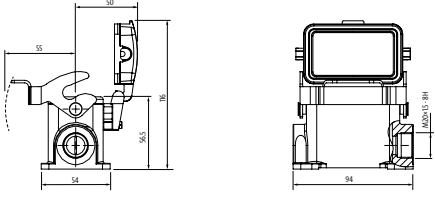

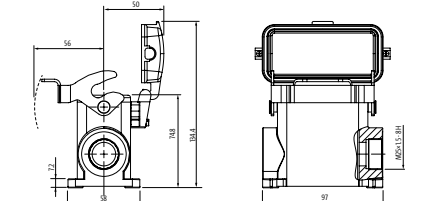

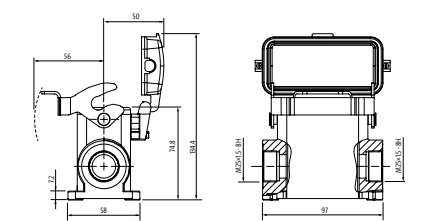
General data	Value
Housing material	Aluminum diecast
Housing surface material	Powder-coated
Technical Data	
Housing protection class	IP65
Mating cycles	min. 500

	Dimensioned drawing	Description	M	Art-No.
			20	<b>70MH-GTENL-A01B000</b>
			25	<b>70MH-GTENL-A01C000</b>
			25	<b>70MH-GTEHL-A01C000</b>
			32	<b>70MH-GTEHL-A01D000</b>
			20	<b>70MH-GTENL-A02B000</b>
			25	<b>70MH-GTENL-A02C000</b>
			25	<b>70MH-GTEHL-A02C000</b>
			32	<b>70MH-GTEHL-A02D000</b>

## MODLINK HEAVY B10 – HOUSING | HOUSING WITH SINGLE LOCKING LEVER

### Technical Data


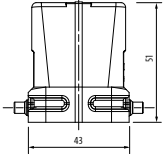
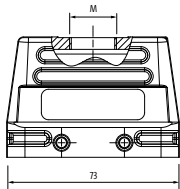
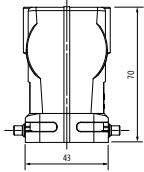
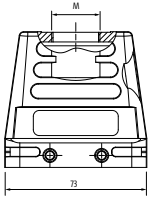

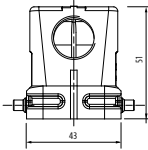
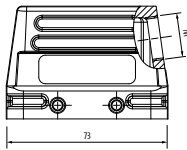
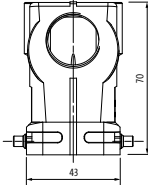
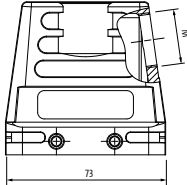

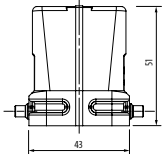
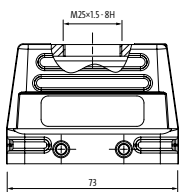

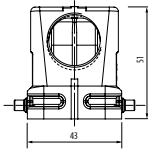
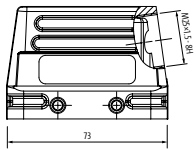
General data	Value
Housing material	Aluminum diecast
Housing surface material	Powder-coated
Locking material	Steel (galvanized)
Seal material	NBR
Technical Data	
Housing protection class	IP65
Mating cycles	min. 500

	Dimensioned drawing	Description	M	Art-No.
		B10 Bulkhead mounted housing single lever IP65		<b>70MH-GAENL-B000000</b>
		B10 Bulkhead mounted housing with plastic cover single lever IP65		<b>70MH-GAENL-B000010</b>
		B10 Surface mounted housing with plastic cover Low profile Single locking lever Side entry IP65	20	<b>70MH-GSENL-B01B010</b>
		B10 Surface mounted housing with plastic cover High profile Single locking lever Side entry IP65	25	<b>70MH-GSEHL-B01C010</b>
		B10 Surface mounted housing with plastic cover High profile Single locking lever Two side entries IP65 (h: 74)	25	<b>70MH-GSEHL-B02C010</b>

## MODLINK HEAVY B10 – HOUSING | HOODS FOR DOUBLE LOCKING LEVER

### Technical Data


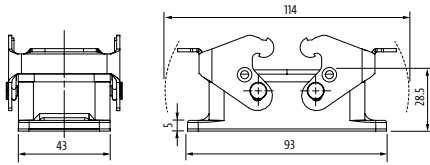

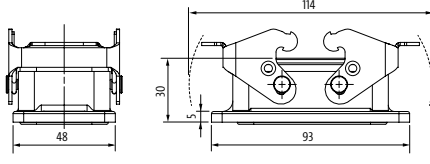

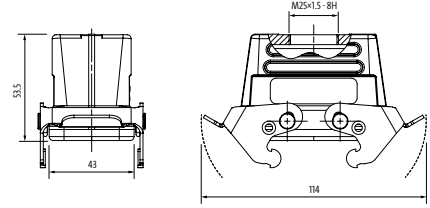
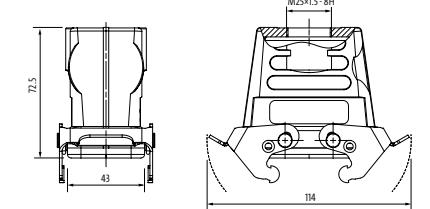
General data	Value
Housing material	Aluminum diecast
Housing surface material	Powder-coated
Technical Data	
Housing protection class	IP65 / IP67
Mating cycles	min. 500

	Dimensioned drawing	Description	M	Art-No.
			20	<b>70MH-GTENQ-A01B000</b>
			25	<b>70MH-GTENQ-A01C000</b>
			25	<b>70MH-GTEHQ-A01C000</b>
			32	<b>70MH-GTEHQ-A01D000</b>
			20	<b>70MH-GTENQ-A02B000</b>
			25	<b>70MH-GTENQ-A02C000</b>
			25	<b>70MH-GTEHQ-A02C000</b>
			32	<b>70MH-GTEHQ-A02D000</b>
			25	<b>70MH-GTENQ-A01C100</b>
			25	<b>70MH-GTENQ-A02C100</b>


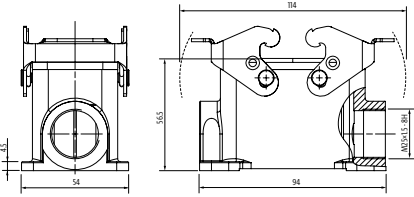
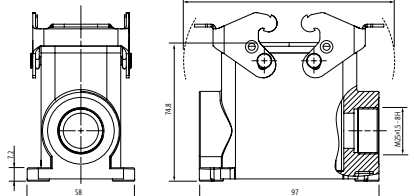

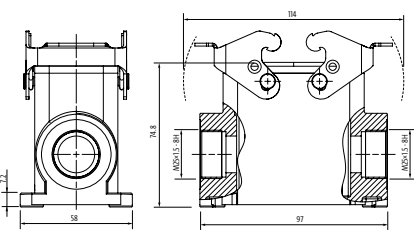
## MODLINK HEAVY B10 – HOUSING | HOUSING WITH DOUBLE LOCKING LEVER

### Technical Data

General data	Value
Housing material	Aluminum diecast
Housing surface material	Powder-coated
Locking material	Steel (galvanized)
Seal material	NBR / CR
Technical Data	
Housing protection class	IP65 / IP67
Mating cycles	min. 500

	Dimensioned drawing	Description	M	Art-No.
		B10 Bulkhead mounted housing double lever IP65		<b>70MH-GAENQ-B000000</b>
		B10 Bulkhead mounted housing Double locking lever IP67		<b>70MH-GAENQ-B000100</b>
		B10 coupling housing Low profile Double locking lever Top entry IP65 (h: 53.5)	25	<b>70MH-GKENQ-B01C000</b>
		B10 coupling housing High profile Double locking lever Top entry IP65 (h: 72.5)	25	<b>70MH-GKEHQ-B01C000</b>

## MODLINK HEAVY B10 – HOUSING | HOUSING WITH DOUBLE LOCKING LEVER

	Dimensioned drawing	Description	M	Art-No.
		<p>B10 Surface mounted housing            Low profile            Double locking lever            Side entry            IP65            (h: 57)</p>	25	<b>70MH-GSEHQ-B01C000</b>
		<p>B10 Surface mounted housing            High profile            Double locking lever            Side entry            IP65            (h: 74)</p>	25	<b>70MH-GSEHQ-B01C000</b>
		<p>B10 Surface mounted housing            High profile            Double locking lever            Two side entries            IP65            (h: 74)</p>	25	<b>70MH-GSEHQ-B02C000</b>


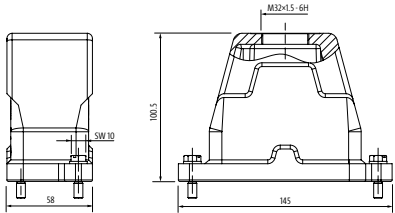

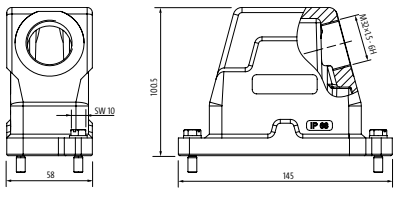
NOTES

A large grid of small dots for taking notes, consisting of 25 columns and 35 rows of dots.

## MODLINK HEAVY B10 – HOUSING | HOUSING BOTTOM PARTS WITH SCREW LOCKING

### Technical Data

General data	Value
Housing material	Aluminum diecast
Housing surface material	Powder-coated
Locking material	Stainless steel
Seal material	Silicone
Technical Data	
Housing protection class	IP68
Mating cycles	min. 500


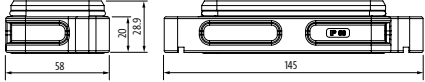

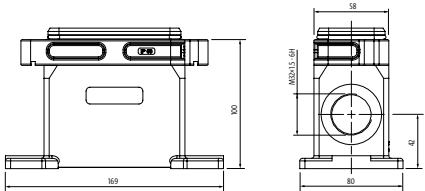
	Dimensioned drawing	Description	M	Art-No.
		B10 Hood Screw locking Top entry IP68	32	<b>70MH-GTENS-A01D200</b>
		B10 Hood Screw locking Side entry IP68	32	<b>70MH-GTENS-A02D200</b>



## MODLINK HEAVY B10 – HOUSING | HOUSING TOP PARTS FOR SCREW LOCKING

### Technical Data

General data	Value
Housing material	Aluminum diecast
Housing surface material	Powder-coated
Seal material	Silicone
Technical Data	
Housing protection class	IP68
Mating cycles	min. 500

	Dimensioned drawing	Description	M	Art-No.
		B10 Bulkhead mounted housing Screw locking IP68		<b>70MH-GAENS-B000200</b>
		B10 Surface mounted housing Screw locking Side entry IP68	32	<b>70MH-GSENS-B01D200</b>

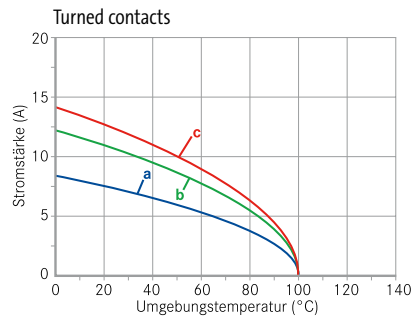
## MODLINK HEAVY B16 – CONTACT INSERTS | D-SERIES

### Technical Data

General data	Standard	Value
Size		B16
Number of poles		40 + PE
Connection type		Crimp
Contact carrier material		PC GF gray
Flammability class	UL94	V-0
Climate category		40/125/10
Temperature range		-40°C... +125°C
Approvals		UL, CSA
Technical Data		
Operating voltage		250 V
Operating current		10 A
Degree of pollution	EN 60664-1	3
Overvoltage category	EN 60664-1	III
Insulating material group	EN 60664-1	IIIa
Rated surge voltage	EN 60664-1	4 kV
Current rating	EN 60512-5-2	See derating
Contact resistance	EN 60512-2-1	≤ 5 mΩ
Insulation resistance	EN 60512-3-1	≥ 10 <sup>10</sup> Ω
Mating cycles	EN 60512-9-1	min. 500

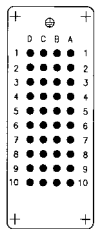
### Derating Curves

Curve	Cross section
a	0.5 mm <sup>2</sup>
b	1.5 mm <sup>2</sup>
c	2.5 mm <sup>2</sup>

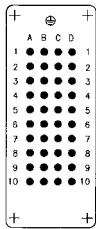


### Contact configuration


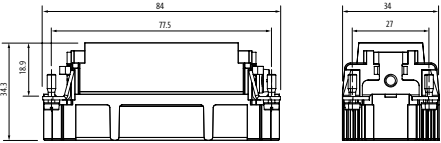

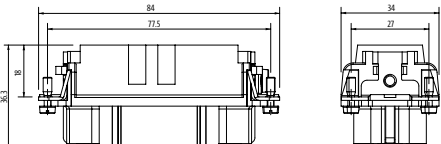
Male insert




Female insert



## Contact Inserts

Male	Dimensioned drawing	Description	Art-No.
		Male, 40-pole, crimp, 250 V, 10 A	<b>70MH-ES040-FC01010</b>
Female	Dimensioned drawing	Description	Art-No.
		Female 40-pole, crimp, 250 V, 10 A	<b>70MH-EB040-FC01010</b>

## Crimp contacts

Turned crimp contacts   1.6 mm	Form of delivery	for wire cross section	AWG	pc	Art-No.	
					Male contact	Female contact
	Silver-plated	0.14–0.37 mm <sup>2</sup>	26–22	100	<b>70MH-ZKA1S-0100100</b>	<b>70MH-ZKB1S-0100100</b>
		0.5 mm <sup>2</sup>	20	100	<b>70MH-ZKA1S-0100200</b>	<b>70MH-ZKB1S-0100200</b>
		0.75–1.0 mm <sup>2</sup>	20–16	100	<b>70MH-ZKA1S-0100300</b>	<b>70MH-ZKB1S-0100300</b>
		1.5 mm <sup>2</sup>	16–15	100	<b>70MH-ZKA1S-0100400</b>	<b>70MH-ZKB1S-0100400</b>
		2.5 mm <sup>2</sup>	14	100	<b>70MH-ZKA1S-0100500</b>	<b>70MH-ZKB1S-0100500</b>
	Gold-plated	0.14–0.37 mm <sup>2</sup>	26–22	100	<b>70MH-ZKA1G-0100100</b>	<b>70MH-ZKB1G-0100100</b>
		0.5 mm <sup>2</sup>	20	100	<b>70MH-ZKA1G-0100200</b>	<b>70MH-ZKB1G-0100200</b>
		0.75–1.0 mm <sup>2</sup>	20–16	100	<b>70MH-ZKA1G-0100300</b>	<b>70MH-ZKB1G-0100300</b>
		1.5 mm <sup>2</sup>	16–15	100	<b>70MH-ZKA1G-0100400</b>	<b>70MH-ZKB1G-0100400</b>
		2.5 mm <sup>2</sup>	14	100	<b>70MH-ZKA1G-0100500</b>	<b>70MH-ZKB1G-0100500</b>

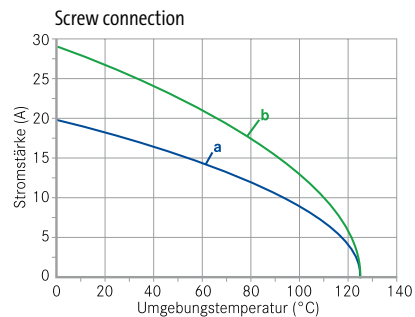
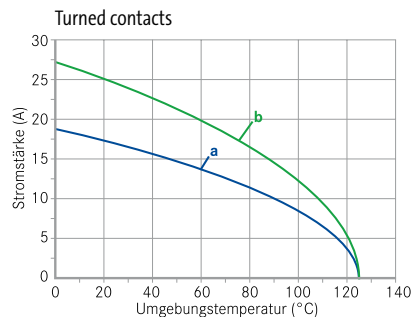
## MODLINK HEAVY B16 – -CONTACT INSERTS | E-SERIES

### Technical Data

General data	Standard	Value
Size		B16
Number of poles		16 + PE
Connection type		Screw terminal / crimp / push-in
Connection cross section		0.5 ... 2.5 mm <sup>2</sup>
Contact carrier material		PA GF gray
Contact material		CuZn (brass)
Contact surface material		Ag (silver)
Flammability class	UL94	V-0
Climate category		40/125/10
Temperature range		-40°C ... +125°C
Approvals		UL, CSA
Technical Data		
Operating voltage		500 V
Operating current		16 A
Degree of pollution	EN 60664-1	3
Overvoltage category	EN 60664-1	III
Insulating material group	EN 60664-1	IIIb
Rated surge voltage	EN 60664-1	6 kV
Current rating	EN 60512-5-2	See derating
Contact resistance	EN 60512-2-1	≤ 5 mΩ
Insulation resistance	EN 60512-3-1	≥ 10 <sup>10</sup> Ω
Mating cycles	EN 60512-9-1	min. 500
Terminal screw tightening torque		0.5 Nm

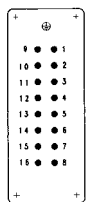
### Derating Curves

Curve	Cross section
a	1.5 mm <sup>2</sup>
b	2.5 mm <sup>2</sup>

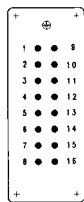


### Contact configuration


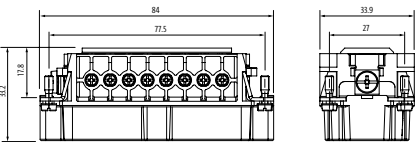

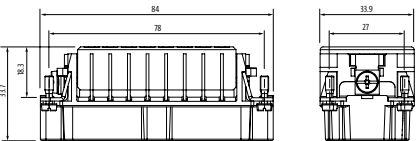

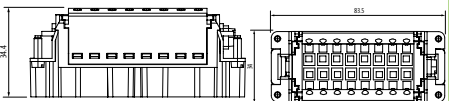

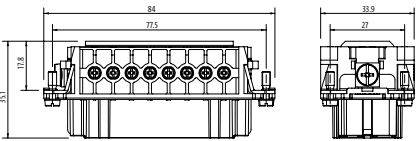

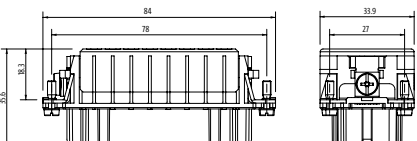

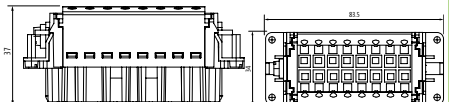
Male insert




Female insert



## Contact Inserts

Male	Dimensioned drawing	Description	Art-No.
		Male 16-pole, screw terminal, 500 V, 16 A	<b>70MH-ES016-FS03020</b>
		Male 16-pole, crimp, 500 V, 16 A	<b>70MH-ES016-FC03020</b>
		Male 16-pole, push-in, 500 V, 16 A	<b>70MH-ES016-FP03020</b>
Female	Dimensioned drawing	Description	Art-No.
		Female 16-pole, screw terminal, 500 V, 16 A	<b>70MH-EB016-FS03020</b>
		Female 16-pole, crimp, 500 V, 16 A	<b>70MH-EB016-FC03020</b>
		Female 16-pole, push-in, 500 V, 16 A	<b>70MH-EB016-FP03020</b>

## Crimp contacts

Turned crimp contacts   2.5 mm	Form of delivery	for wire cross section	AWG	pc	Art-No.	Art-No.
					Male contact	Female contact
	Silver-plated	0.5 mm <sup>2</sup>	20	100	<b>70MH-ZKA1S-0200200</b>	<b>70MH-ZKB1S-0200200</b>
		0.75–1.0 mm <sup>2</sup>	18	100	<b>70MH-ZKA1S-0200300</b>	<b>70MH-ZKB1S-0200300</b>
		1.5 mm <sup>2</sup>	16	100	<b>70MH-ZKA1S-0200400</b>	<b>70MH-ZKB1S-0200400</b>
		2.5 mm <sup>2</sup>	14	100	<b>70MH-ZKA1S-0200500</b>	<b>70MH-ZKB1S-0200500</b>
	Gold-plated	4.0 mm <sup>2</sup>	12	100	<b>70MH-ZKA1S-0200600</b>	<b>70MH-ZKB1S-0200600</b>
		0.5 mm <sup>2</sup>	20	100	<b>70MH-ZKA1G-0200200</b>	<b>70MH-ZKB1G-0200200</b>
		0.75–1.0 mm <sup>2</sup>	18	100	<b>70MH-ZKA1G-0200300</b>	<b>70MH-ZKB1G-0200300</b>
		1.5 mm <sup>2</sup>	16	100	<b>70MH-ZKA1G-0200400</b>	<b>70MH-ZKB1G-0200400</b>
		2.5 mm <sup>2</sup>	14	100	<b>70MH-ZKA1G-0200500</b>	<b>70MH-ZKB1G-0200500</b>
		4.0 mm <sup>2</sup>	12	100	<b>70MH-ZKA1G-0200600</b>	<b>70MH-ZKB1G-0200600</b>

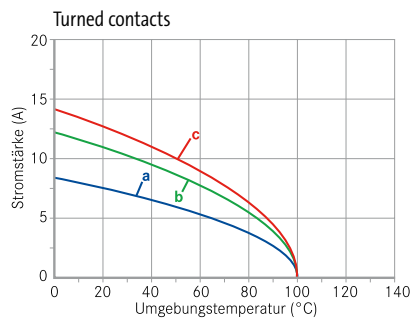
## MODLINK HEAVY B16 – CONTACT INSERTS | EE-SERIES

### Technical Data

General data	Standard	Value
Size		B16
Number of poles		32 + PE
Connection type		Crimp
Contact carrier material		PC GF gray
Flammability class	UL94	V-0
Climate category		40/125/10
Temperature range		-40°C ... +125°C
Approvals		UL, CSA
Technical Data		
Operating voltage		500 V
Operating current		16 A
Degree of pollution	EN 60664-1	3
Overtoltage category	EN 60664-1	III
Insulating material group	EN 60664-1	IIIa
Rated surge voltage	EN 60664-1	6 kV
Current rating	EN 60512-5-2	See derating
Contact resistance	EN 60512-2-1	≤ 5 mΩ
Insulation resistance	EN 60512-3-1	≥ 10 <sup>10</sup> Ω
Mating cycles	EN 60512-9-1	min. 500

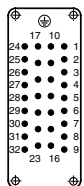
### Derating Curves

Curve	Cross section
a	0.5 mm <sup>2</sup>
b	1.5 mm <sup>2</sup>
c	2.5 mm <sup>2</sup>

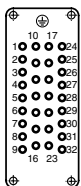


### Contact configuration


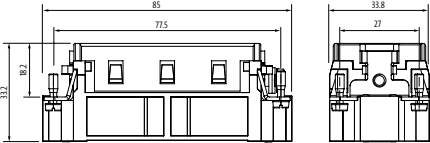

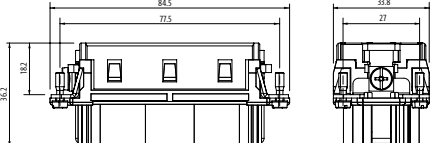
Male insert




Female insert



## Contact Inserts

Male	Dimensioned drawing	Description	Art-No.
		Male 32-pole, crimp, 500 V, 16 A	<b>70MH-ES032-FC03020</b>
Female	Dimensioned drawing	Description	Art-No.
		Female 32-pole, crimp, 500 V, 16 A	<b>70MH-EB032-FC03020</b>

## Crimp contacts

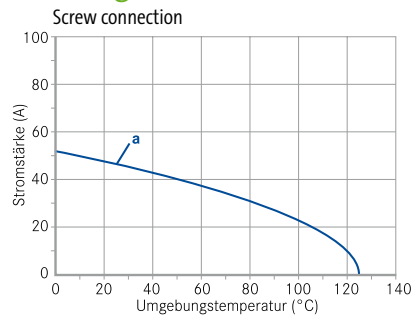
Turned crimp contacts   2.5 mm	Form of delivery	for wire cross section	AWG	pc	Art-No.	
					Male contact	Female contact
	Silver-plated	0.5 mm <sup>2</sup>	20	100	<b>70MH-ZKA1S-0200200</b>	<b>70MH-ZKB1S-0200200</b>
		0.75–1.0 mm <sup>2</sup>	18	100	<b>70MH-ZKA1S-0200300</b>	<b>70MH-ZKB1S-0200300</b>
		1.5 mm <sup>2</sup>	16	100	<b>70MH-ZKA1S-0200400</b>	<b>70MH-ZKB1S-0200400</b>
		2.5 mm <sup>2</sup>	14	100	<b>70MH-ZKA1S-0200500</b>	<b>70MH-ZKB1S-0200500</b>
		4.0 mm <sup>2</sup>	12	100	<b>70MH-ZKA1S-0200600</b>	<b>70MH-ZKB1S-0200600</b>
	Gold-plated	0.5 mm <sup>2</sup>	20	100	<b>70MH-ZKA1G-0200200</b>	<b>70MH-ZKB1G-0200200</b>
		0.75–1.0 mm <sup>2</sup>	18	100	<b>70MH-ZKA1G-0200300</b>	<b>70MH-ZKB1G-0200300</b>
		1.5 mm <sup>2</sup>	16	100	<b>70MH-ZKA1G-0200400</b>	<b>70MH-ZKB1G-0200400</b>
		2.5 mm <sup>2</sup>	14	100	<b>70MH-ZKA1G-0200500</b>	<b>70MH-ZKB1G-0200500</b>
		4.0 mm <sup>2</sup>	12	100	<b>70MH-ZKA1G-0200600</b>	<b>70MH-ZKB1G-0200600</b>

## MODLINK HEAVY B16 – CONTACT INSERTS | HSE-SERIES

### Technical Data

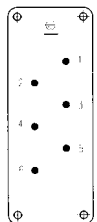
General data	Standard	Value
Size		B16
Number of poles		6 + PE
Connection type		Screw terminal
Connection cross section		0.5 ... 6 mm <sup>2</sup>
Contact carrier material		PA 66 GF black
Contact material		CuZn (brass)
Contact surface material		Ag (silver)
Flammability class	UL94	V-0
Climate category		40/125/21
Temperature range		-40°C ... +125°C
Technical Data		
Operating voltage		400 V
Operating current		42 A
Degree of pollution	EN 60664-1	3
Overvoltage category	EN 60664-1	III
Insulating material group	EN 60664-1	II
Rated surge voltage	EN 60664-1	6 kV
Current rating	EN 60512-5-2	See derating
Contact resistance	EN 60512-2-1	≤ 1 mΩ
Insulation resistance	EN 60512-3-1	≥ 10 <sup>10</sup> Ω
Mating cycles	EN 60512-9-1	min. 500
Terminal screw tightening torque		0.8 Nm

### Derating Curves

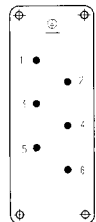


### Contact configuration

Male insert


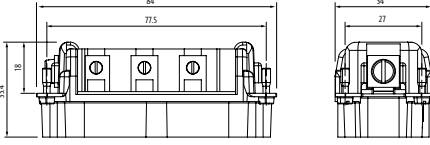
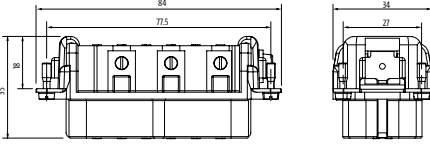


Female insert





## Contact Inserts

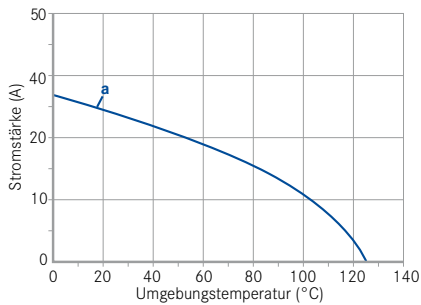
Male	Dimensioned drawing	Description	Art-No.
		<p>Male 6-pole, screw terminal, 400 V, 42 A</p>	<p><b>70MH-ES006-FS02030</b></p>
<p>Female</p>		<p>Female 6-pole, screw terminal, 400 V, 42 A</p>	<p><b>70MH-EB006-FS02030</b></p>

## MODLINK HEAVY B16 – CONTACT INSERTS | HV-SERIES

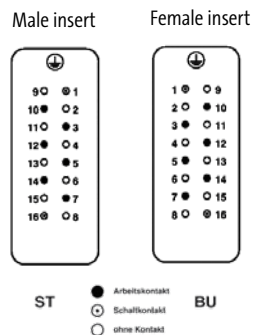
### Technical Data

General data	Standard	Value
Size		B16
Number of poles		6+2+PE
Connection type		Push-in
Connection cross section		0.14 ... 2.5 mm <sup>2</sup>
Contact carrier material		PA
Contact material		Copper alloy
Contact surface material		Ag (silver)
Flammability class	UL94	V-0
Temperature range		-40°C ... +125°C
Approvals		UL, CSA
Technical Data		
Operating voltage		800 / 500 V
Operating current		16 A
Degree of pollution	EN 60664-1	3
Overvoltage category	EN 60664-1	III
Insulating material group	EN 60664-1	IIIa
Rated surge voltage	EN 60664-1	8 / 6 kV
Current rating	EN 60512-5-2	See derating
Mating cycles	EN 60512-9-1	min. 500


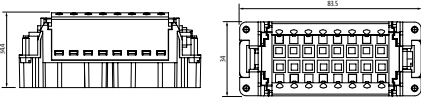

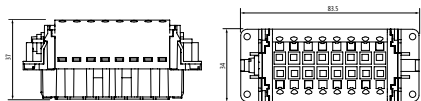
### Derating Curves



### Contact configuration



## Contact Inserts

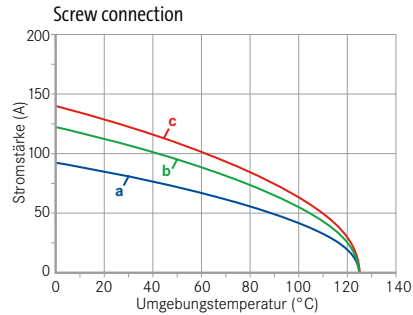
Male	Dimensioned drawing	Description	Art-No.
		<p>Male 6+2-pole, push-in, 800 / 500 V, 16 A</p>	<p><b>70MH-ES6U2-FP05020</b></p>
		<p>Female 6+2-pole, push-in, 800 / 500 V, 16 A</p>	<p><b>70MH-EB6U2-FP05020</b></p>

## MODLINK HEAVY B16 – CONTACT INSERTS | K-SERIES

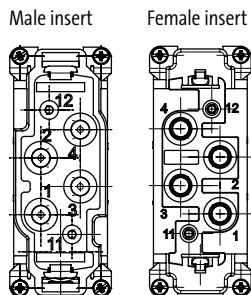
### Technical Data

General data	Standard	Value
Size		B16
Number of poles		4 + 2 + PE
Connection type		Screw terminal
Connection cross section		1.5 ... 16 mm <sup>2</sup> / 0.9 ... 2.5 mm <sup>2</sup>
Contact carrier material		PC GF gray
Contact material		CuZn (brass)
Contact surface material		Ag (silver)
Flammability class	UL94	V-0
Climate category		40/125/10
Temperature range		-40°C ... +125°C
Approvals		UL, CSA
Technical Data		
Operating voltage		830 / 400 V
Operating current		80 / 16 A
Degree of pollution	EN 60664-1	3
Overvoltage category	EN 60664-1	III
Insulating material group	EN 60664-1	IIIa
Rated surge voltage	EN 60664-1	8 kV
Current rating	EN 60512-5-2	See derating
Contact resistance	EN 60512-2-1	≤ 5 mΩ
Insulation resistance	EN 60512-3-1	≥ 10 <sup>9</sup> Ω
Mating cycles	EN 60512-9-1	min. 500
Terminal screw tightening torque		2.5 / 0.5 Nm


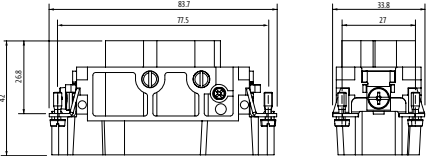

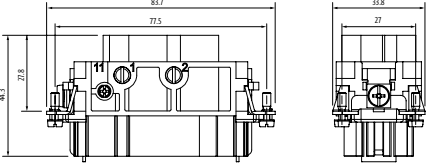
### Derating Curves



### Contact configuration




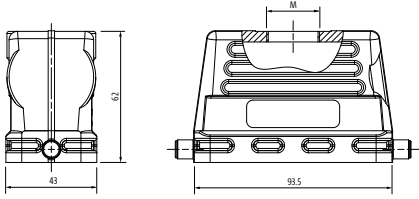
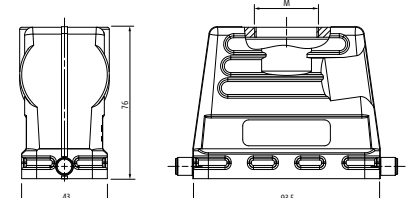

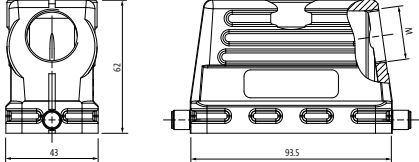
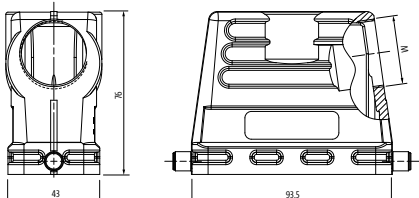
## Contact Inserts

Male	Dimensioned drawing	Description	Art-No.
		<p>Male 4 + 2-pole, screw terminal, 830 / 400 V, 80 / 16 A</p>	<p><b>70MH-ES4U2-FS04000</b></p>
<b>Female</b>			
		<p>Female 4 + 2-pole, screw terminal, 830 / 400 V, 80 / 16 A</p>	<p><b>70MH-EB4U2-FS04000</b></p>

## MODLINK HEAVY B16 – HOUSING | HOUSING TOP PART FOR SINGLE LEVER

### Technical Data


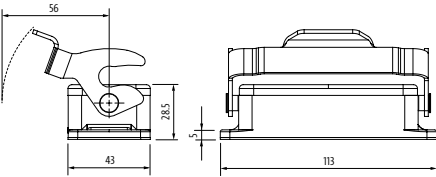

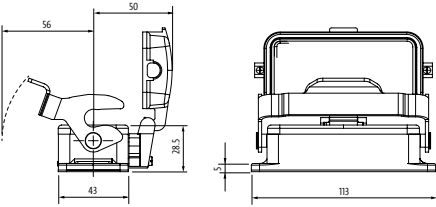

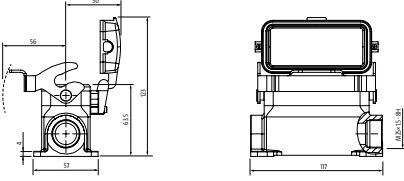

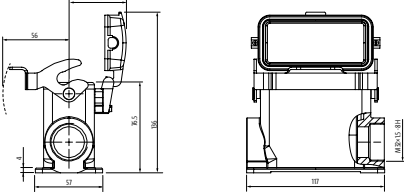

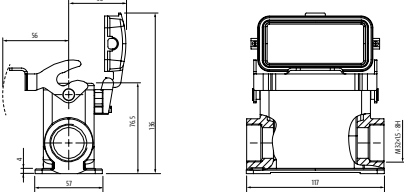
General data	Value
Housing material	Aluminum diecast
Housing surface material	Powder-coated
Technical Data	
Housing protection class	IP65
Mating cycles	min. 500

	Dimensioned drawing	Description	M	Art-No.
		B16 Hood Low profile Single locking lever Top entry IP65	25	<b>70MH-GTFNL-A01C000</b>
			32	<b>70MH-GTFNL-A01D000</b>
		B16 Hood High profile Single locking lever Top entry IP65	32	<b>70MH-GTFHL-A01D000</b>
			40	<b>70MH-GTFHL-A01E000</b>
		B16 Hood Low profile Single locking lever Side entry IP65	25	<b>70MH-GTFNL-A02C000</b>
			32	<b>70MH-GTFNL-A02D000</b>
		B16 Hood High profile Single locking lever Side entry IP65	32	<b>70MH-GTFHL-A02D000</b>
			40	<b>70MH-GTFHL-A02E000</b>

## MODLINK HEAVY B16 – HOUSING | HOUSING WITH SINGLE LOCKING LEVER

### Technical Data


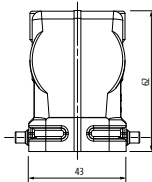
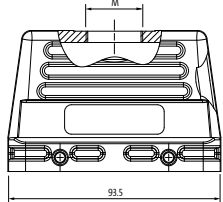
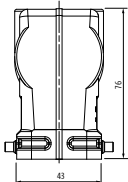
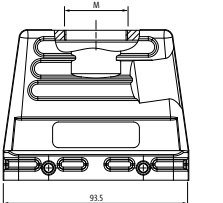

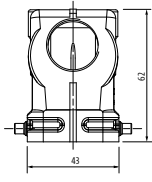
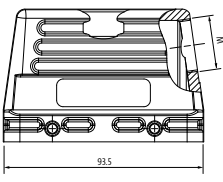
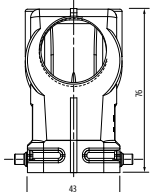
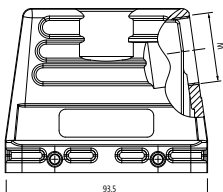

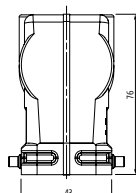
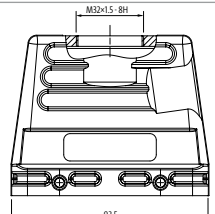

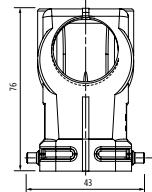
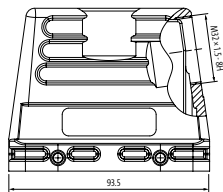
General data	Value
Housing material	Aluminum diecast
Housing surface material	Powder-coated
Locking material	Steel (galvanized)
Seal material	NBR
Technical Data	
Housing protection class	IP65
Mating cycles	min. 500

	Dimensioned drawing	Description	M	Art-No.
		B16 Bulkhead mounted housing single lever IP65		<b>70MH-GAFNL-B000000</b>
		B16 Bulkhead mounted housing with plastic cover Single locking lever IP65		<b>70MH-GAFNL-B000010</b>
		B16 coupling housing with plastic cover Low profile Single locking lever Side entry IP65 (h: 64)	25	<b>70MH-GSFNL-B01C010</b>
		B16 Surface mounted housing with plastic cover High profile Single locking lever Side entry IP65 (h: 77)	32	<b>70MH-GSFHL-B01D010</b>
		B16 Surface mounted housing with plastic cover High profile Single locking lever Two side entries IP65 (h: 77)	32	<b>70MH-GSFHL-B02D010</b>

## MODLINK HEAVY B16 – HOUSING | HOODS FOR DOUBLE LOCKING LEVER

### Technical Data

General data	Value
Housing material	Aluminum diecast
Housing surface material	Powder-coated
Technical Data	
Housing protection class	IP65 / IP67
Mating cycles	min. 500


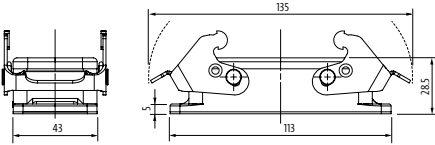

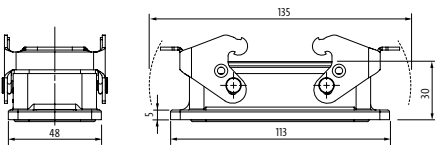

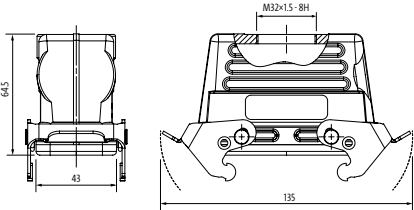
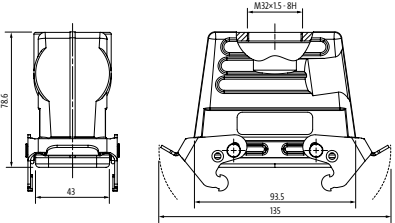
	Dimensioned drawing	Description	M	Art-No.
			25	<b>70MH-GTFHQ-A01C000</b>
			32	<b>70MH-GTFHQ-A01D000</b>
			32	<b>70MH-GTFHQ-A01D000</b>
			40	<b>70MH-GTFHQ-A01E000</b>
			25	<b>70MH-GTFHQ-A02C000</b>
			32	<b>70MH-GTFHQ-A02D000</b>
			32	<b>70MH-GTFHQ-A02D000</b>
			40	<b>70MH-GTFHQ-A02E000</b>
			32	<b>70MH-GTFHQ-A01D100</b>
			32	<b>70MH-GTFHQ-A02D100</b>




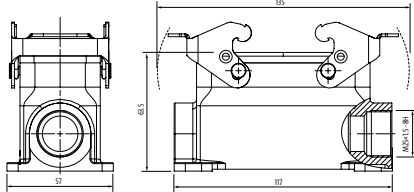
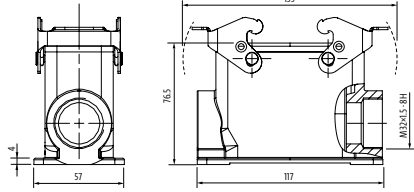

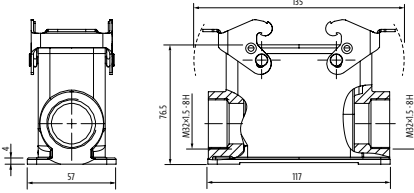
## MODLINK HEAVY B16 – HOUSING | HOUSING WITH DOUBLE LOCKING LEVER

### Technical Data

General data	Value
Housing material	Aluminum diecast
Housing surface material	Powder-coated
Locking material	Steel (galvanized)
Seal material	NBR / CR
Technical Data	
Housing protection class	IP65 / IP67
Mating cycles	min. 500

	Dimensioned drawing	Description	M	Art-No.
		B16 Bulkhead mounted housing Double locking lever IP65		<b>70MH-GAFNQ-B000000</b>
		B16 Bulkhead mounted housing Double locking lever IP67		<b>70MH-GAFNQ-B000100</b>
		B16 coupling housing Low profile Double locking lever Top entry IP65 (h: 64.5)	32	<b>70MH-GKFNQ-B01D000</b>
		B16 coupling housing High profile Double locking lever Top entry IP65 (h: 78.6)	32	<b>70MH-GKFNQ-B01D000</b>

## MODLINK HEAVY B16 – HOUSING | HOUSING WITH DOUBLE LOCKING LEVER

	Dimensioned drawing	Description	M	Art-No.
		B16 Surface mounted housing Low profile Double locking lever Side entry IP65 (h: 64)	25	<b>70MH-GSFNQ-B01C000</b>
		B16 Surface mounted housing High profile Double locking lever Side entry IP65 (h: 77)	32	<b>70MH-GSFHQ-B01D000</b>
		B16 Surface mounted housing High profile Double locking lever Two side entries IP65 (h: 77)	32	<b>70MH-GSFHQ-B02D000</b>


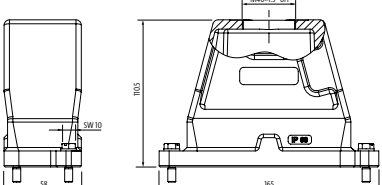

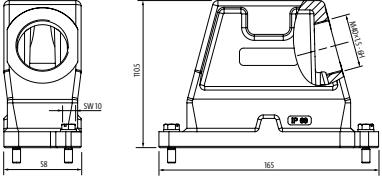
NOTES

A large grid of small dots for taking notes, covering the majority of the page below the 'NOTES' header.

## MODLINK HEAVY B16 – HOUSING | HOUSING TOP PART WITH SCREW LOCKING

### Technical Data


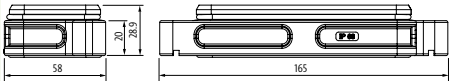

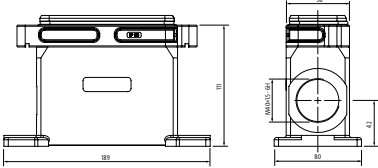
General data	Value
Housing material	Aluminum diecast
Housing surface material	Powder-coated
Locking material	Stainless steel
Seal material	Silicone
Technical Data	
Housing protection class	IP68
Mating cycles	min. 500

	Dimensioned drawing	Description	M	Art-No.
		B16 Hood Screw locking Top entry IP68	40	<b>70MH-GTFNS-A01E200</b>
		B16 Hood Screw locking Side entry IP68	40	<b>70MH-GTFNS-A02E200</b>

## MODLINK HEAVY B16 – HOUSING | HOUSING TOP PARTS FOR SCREW LOCKING

### Technical Data

General data	Value
Housing material	Aluminum diecast
Housing surface material	Powder-coated
Seal material	Silicone
Technical Data	
Housing protection class	IP68
Mating cycles	min. 500

	Dimensioned drawing	Description	M	Art-No.
		B16 Bulkhead mounted housing Screw locking IP68		<b>70MH-GAFNS-B000200</b>
		B16 Surface mounted housing Screw locking Side entry IP68	40	<b>70MH-GSFNS-B01E200</b>

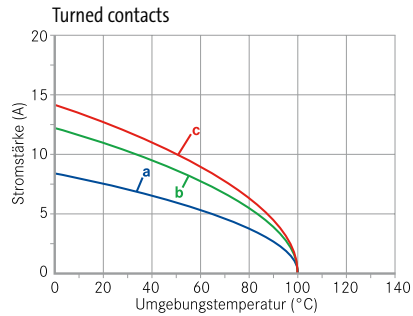
## MODLINK HEAVY B24 – CONTACT INSERTS | D-SERIES

### Technical Data

General data	Standard	Value
Size		B24
Number of poles		64 + PE
Connection type		Crimp
Contact carrier material		PC GF gray
Flammability class	UL94	V-0
Climate category		40/125/10
Temperature range		-40°C ... +125°C
Approvals		UL, CSA
Technical Data		
Operating voltage		250 V
Operating current		10 A
Degree of pollution	EN 60664-1	3
Overvoltage category	EN 60664-1	III
Insulating material group	EN 60664-1	IIIa
Rated surge voltage	EN 60664-1	4 kV
Current rating	EN 60512-5-2	See derating
Contact resistance	EN 60512-2-1	≤ 5 mΩ
Insulation resistance	EN 60512-3-1	≥ 10 <sup>10</sup> Ω
Mating cycles	EN 60512-9-1	min. 500

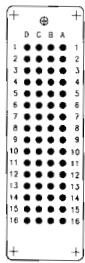
### Derating Curves

Curve	Cross section
a	0.5 mm <sup>2</sup>
b	1.5 mm <sup>2</sup>
c	2.5 mm <sup>2</sup>

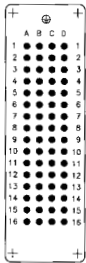


### Contact configuration


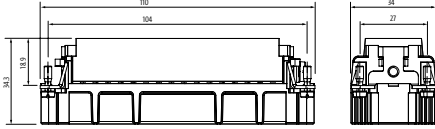

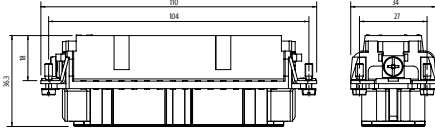
Male insert




Female insert



## Contact Inserts

Male	Dimensioned drawing	Description	Art-No.
		Male 64-pole, crimp 250 V, 10 A	<b>70MH-ES064-GC01010</b>
Female	Dimensioned drawing	Description	Art-No.
		Female 64-pole, crimp 250 V, 10 A	<b>70MH-EB064-GC01010</b>

## Crimp contacts

Turned crimp contacts   1.6 mm	Form of delivery	for wire cross section	AWG	pc	Art-No.	
					Male contact	Female contact
	Silver-plated	0.14–0.37 mm <sup>2</sup>	26–22	100	<b>70MH-ZKA1S-0100100</b>	<b>70MH-ZKB1S-0100100</b>
		0.5 mm <sup>2</sup>	20	100	<b>70MH-ZKA1S-0100200</b>	<b>70MH-ZKB1S-0100200</b>
		0.75–1.0 mm <sup>2</sup>	20–16	100	<b>70MH-ZKA1S-0100300</b>	<b>70MH-ZKB1S-0100300</b>
		1.5 mm <sup>2</sup>	16–15	100	<b>70MH-ZKA1S-0100400</b>	<b>70MH-ZKB1S-0100400</b>
		2.5 mm <sup>2</sup>	14	100	<b>70MH-ZKA1S-0100500</b>	<b>70MH-ZKB1S-0100500</b>
	Gold-plated	0.14–0.37 mm <sup>2</sup>	26–22	100	<b>70MH-ZKA1G-0100100</b>	<b>70MH-ZKB1G-0100100</b>
		0.5 mm <sup>2</sup>	20	100	<b>70MH-ZKA1G-0100200</b>	<b>70MH-ZKB1G-0100200</b>
		0.75–1.0 mm <sup>2</sup>	20–16	100	<b>70MH-ZKA1G-0100300</b>	<b>70MH-ZKB1G-0100300</b>
		1.5 mm <sup>2</sup>	16–15	100	<b>70MH-ZKA1G-0100400</b>	<b>70MH-ZKB1G-0100400</b>
		2.5 mm <sup>2</sup>	14	100	<b>70MH-ZKA1G-0100500</b>	<b>70MH-ZKB1G-0100500</b>

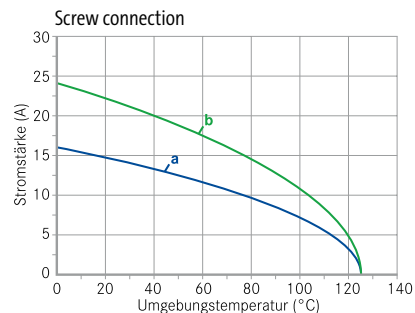
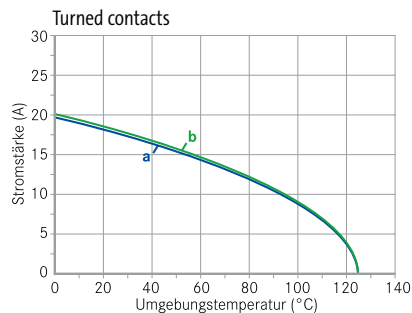
## MODLINK HEAVY B24 – -CONTACT INSERTS | E-SERIES

### Technical Data

General data	Standard	Value
Size		B24
Number of poles		24 + PE
Connection type		Screw terminal/crimp/push-in
Connection cross section		0.5 ... 2.5 mm <sup>2</sup>
Contact carrier material		PA GF gray
Contact material		CuZn (brass)
Contact surface material		Ag (silver)
Flammability class	UL94	V-0
Climate category		40/125/10
Temperature range		-40°C ... +125°C
Approvals		UL, CSA
Technical Data		
Operating voltage		500 V
Operating current		16 A
Degree of pollution	EN 60664-1	3
Overvoltage category	EN 60664-1	III
Insulating material group	EN 60664-1	IIIb
Rated surge voltage	EN 60664-1	6 kV
Current rating	EN 60512-5-2	See derating
Contact resistance	EN 60512-2-1	≤ 5 mΩ
Insulation resistance	EN 60512-3-1	≥ 10 <sup>10</sup> Ω
Mating cycles	EN 60512-9-1	min. 500
Terminal screw tightening torque		0.5 Nm

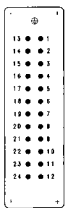
### Derating Curves

Curve	Cross section
a	1.5 mm <sup>2</sup>
b	2.5 mm <sup>2</sup>

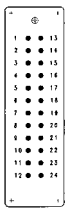


### Contact configuration

Male insert



Female insert





## Contact Inserts

Male	Dimensioned drawing	Description	Art-No.
		Male 24-pole, screw terminal, 500 V, 16 A	<b>70MH-ES024-GS03020</b>
		Male 24-pole, crimp, 500 V, 16 A	<b>70MH-ES024-GC03020</b>
		Male 24-pole, push-in, 500 V, 16 A	<b>70MH-ES024-GP03020</b>
Female	Dimensioned drawing	Description	Art-No.
		Female 24-pole, screw terminal, 500 V, 16 A	<b>70MH-EB024-GS03020</b>
		Female 24-pole, crimp, 500 V, 16 A	<b>70MH-EB024-GC03020</b>
		Female 24-pole, push-in, 500 V, 16 A	<b>70MH-EB024-GP03020</b>

## Crimp contacts

Turned crimp contacts   2.5 mm	Form of delivery	for wire cross section	AWG	pc	Art-No.	Art-No.
					Male contact	Female contact
	Silver-plated	0.5 mm <sup>2</sup>	20	100	<b>70MH-ZKA1S-0200200</b>	<b>70MH-ZKB1S-0200200</b>
		0.75–1.0 mm <sup>2</sup>	18	100	<b>70MH-ZKA1S-0200300</b>	<b>70MH-ZKB1S-0200300</b>
		1.5 mm <sup>2</sup>	16	100	<b>70MH-ZKA1S-0200400</b>	<b>70MH-ZKB1S-0200400</b>
		2.5 mm <sup>2</sup>	14	100	<b>70MH-ZKA1S-0200500</b>	<b>70MH-ZKB1S-0200500</b>
		4.0 mm <sup>2</sup>	12	100	<b>70MH-ZKA1S-0200600</b>	<b>70MH-ZKB1S-0200600</b>
	Gold-plated	0.5 mm <sup>2</sup>	20	100	<b>70MH-ZKA1G-0200200</b>	<b>70MH-ZKB1G-0200200</b>
		0.75–1.0 mm <sup>2</sup>	18	100	<b>70MH-ZKA1G-0200300</b>	<b>70MH-ZKB1G-0200300</b>
		1.5 mm <sup>2</sup>	16	100	<b>70MH-ZKA1G-0200400</b>	<b>70MH-ZKB1G-0200400</b>
		2.5 mm <sup>2</sup>	14	100	<b>70MH-ZKA1G-0200500</b>	<b>70MH-ZKB1G-0200500</b>
		4.0 mm <sup>2</sup>	12	100	<b>70MH-ZKA1G-0200600</b>	<b>70MH-ZKB1G-0200600</b>

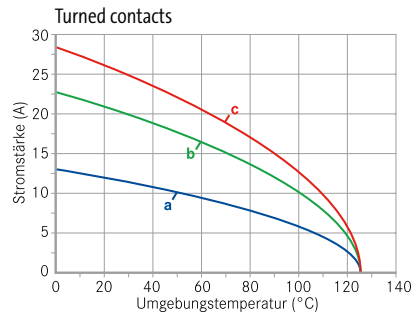
## MODLINK HEAVY B24 – CONTACT INSERTS | EE-SERIES

### Technical Data

General data	Standard	Value
Size		B24
Number of poles		46 + PE
Connection type		Crimp
Contact carrier material		PC GF gray
Flammability class	UL94	V-0
Climate category		40/125/10
Temperature range		-40°C ... +125°C
Approvals		UL, CSA
Technical Data		
Operating voltage		500 V
Operating current		16 A
Degree of pollution	EN 60664-1	3
Overtoltage category	EN 60664-1	III
Insulating material group	EN 60664-1	IIIa
Rated surge voltage	EN 60664-1	6 kV
Current rating	EN 60512-5-2	See derating
Contact resistance	EN 60512-2-1	≤ 5 mΩ
Insulation resistance	EN 60512-3-1	≥ 10 <sup>10</sup> Ω
Mating cycles	EN 60512-9-1	min. 500

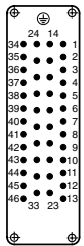
### Derating Curves

Curve	Cross section
a	0.5 mm <sup>2</sup>
b	2.5 mm <sup>2</sup>
c	4.0 mm <sup>2</sup>

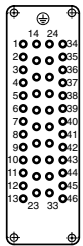


### Contact configuration


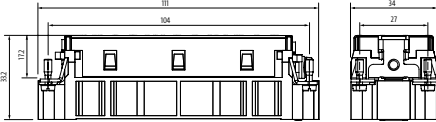

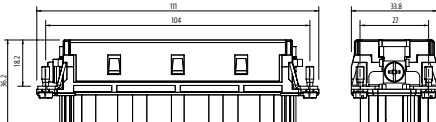
Male insert




Female insert



## Contact Inserts

Male	Dimensioned drawing	Description	Art-No.
		Male 46-pole, crimp, 500 V, 16 A	<b>70MH-ES046-GC03020</b>
Female	Dimensioned drawing	Description	Art-No.
		Female 46-pole, crimp, 500 V, 16 A	<b>70MH-EB046-GC03020</b>

## Crimp contacts

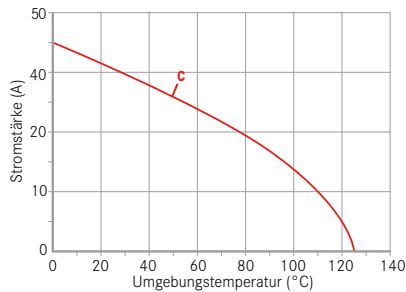
Turned crimp contacts   2.5 mm	Form of delivery	for wire cross section	AWG	pc	Art-No.	Art-No.
					Male contact	Female contact
	Silver-plated	0.5 mm <sup>2</sup>	20	100	<b>70MH-ZKA1S-0200200</b>	<b>70MH-ZKB1S-0200200</b>
		0.75–1.0 mm <sup>2</sup>	18	100	<b>70MH-ZKA1S-0200300</b>	<b>70MH-ZKB1S-0200300</b>
		1.5 mm <sup>2</sup>	16	100	<b>70MH-ZKA1S-0200400</b>	<b>70MH-ZKB1S-0200400</b>
		2.5 mm <sup>2</sup>	14	100	<b>70MH-ZKA1S-0200500</b>	<b>70MH-ZKB1S-0200500</b>
		4.0 mm <sup>2</sup>	12	100	<b>70MH-ZKA1S-0200600</b>	<b>70MH-ZKB1S-0200600</b>
	Gold-plated	0.5 mm <sup>2</sup>	20	100	<b>70MH-ZKA1G-0200200</b>	<b>70MH-ZKB1G-0200200</b>
		0.75–1.0 mm <sup>2</sup>	18	100	<b>70MH-ZKA1G-0200300</b>	<b>70MH-ZKB1G-0200300</b>
		1.5 mm <sup>2</sup>	16	100	<b>70MH-ZKA1G-0200400</b>	<b>70MH-ZKB1G-0200400</b>
		2.5 mm <sup>2</sup>	14	100	<b>70MH-ZKA1G-0200500</b>	<b>70MH-ZKB1G-0200500</b>
		4.0 mm <sup>2</sup>	12	100	<b>70MH-ZKA1G-0200600</b>	<b>70MH-ZKB1G-0200600</b>

## MODLINK HEAVY B24 – CONTACT INSERTS | HV-SERIES

## Technical Data

General data	Standard	Value
Size		B24
Number of poles		10 + 2 + PE
Connection type		Push-in
Connection cross section		0.14 ... 2.5 mm <sup>2</sup>
Contact carrier material		PA
Contact material		Copper alloy
Contact surface material		Ag (silver)
Flammability class	UL94	V-0
Temperature range		-40°C ... +125°C
Approvals		UL, CSA
Technical Data		
Operating voltage		800 / 500 V
Operating current		16 A
Degree of pollution	EN 60664-1	3
Overvoltage category	EN 60664-1	III
Insulating material group	EN 60664-1	II
Rated surge voltage	EN 60664-1	8 / 6 kV
Current rating	EN 60512-5-2	See derating
Mating cycles	EN 60512-9-1	min. 500

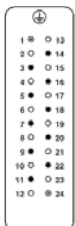
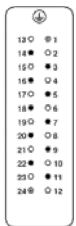
## Derating Curves



## Contact configuration


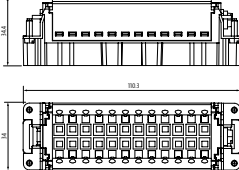

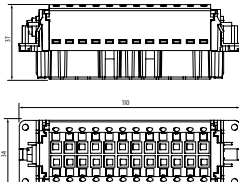
Male insert

Female insert



ST ● Arbeitskontakt  
 ○ ● Schaltkontakt  
 ○ ○ ohne Kontakt


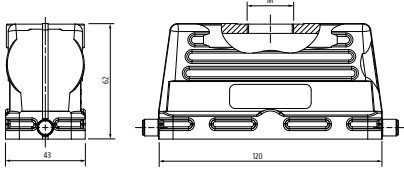
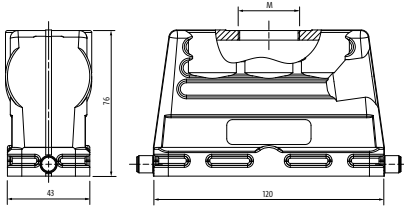

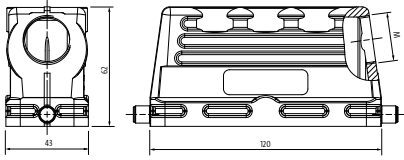
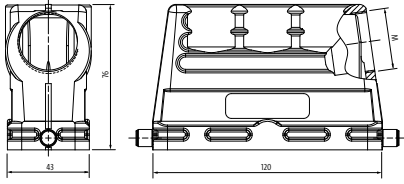
## Contact Inserts

Male	Dimensioned drawing	Description	Art-No.
		<p>Male 10 + 2-pole, push-in, 800 / 500 V, 16 A</p>	<p><b>70MH-ESZU2-GP05020</b></p>
<p><b>Female</b></p> 		<p>Female 10 + 2-pole, push-in, 800 / 500 V, 16 A</p>	<p><b>70MH-EBZU2-GP05020</b></p>

## MODLINK HEAVY B24 – HOUSING | HOODS FOR SINGLE LOCKING LEVER

### Technical Data


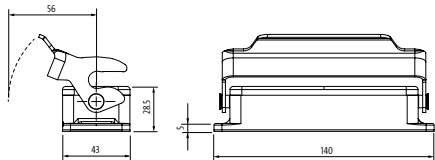

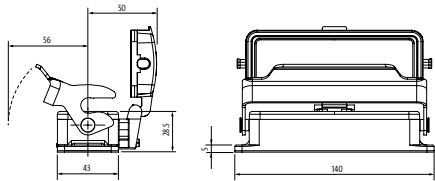

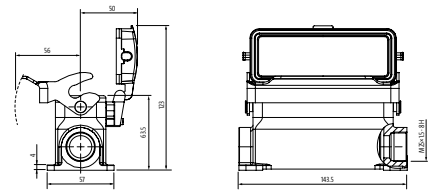

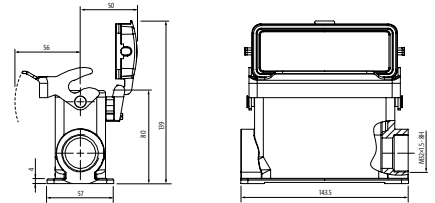

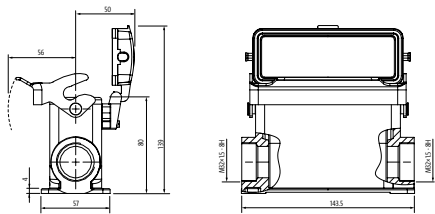
General data	Value
Housing material	Aluminum diecast
Housing surface material	Powder-coated
Technical Data	
Housing protection class	IP65
Mating cycles	min. 500

	Dimensioned drawing	Description	M	Art-No.
		B24 Hood Low profile Single locking lever Top entry IP65	25	<b>70MH-GTGNL-A01C000</b>
			32	<b>70MH-GTGNL-A01D000</b>
		B24 Hood High profile Single locking lever Top entry IP65	32	<b>70MH-GTGHL-A01D000</b>
			40	<b>70MH-GTGHL-A01E000</b>
		B24 Hood Low profile Single locking lever Side entry IP65	25	<b>70MH-GTGNL-A02C000</b>
			32	<b>70MH-GTGNL-A02D000</b>
		B24 Hood High profile Single locking lever Side entry IP65	32	<b>70MH-GTGHL-A02D000</b>
			40	<b>70MH-GTGHL-A02E000</b>

## MODLINK HEAVY B24 – HOUSING | HOUSING WITH SINGLE LOCKING LEVER

### Technical Data


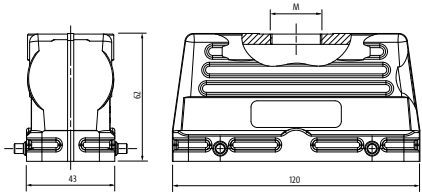
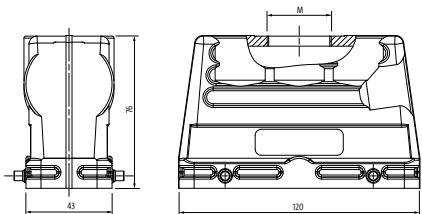

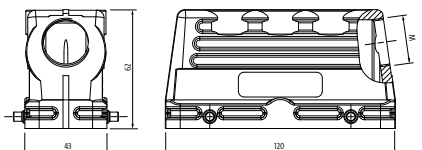
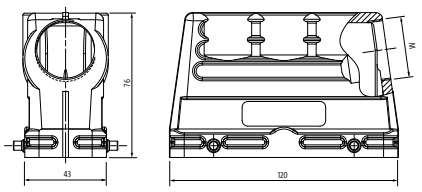

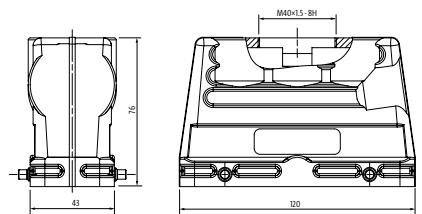

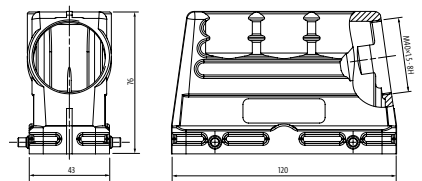
General data	Value
Housing material	Aluminum diecast
Housing surface material	Powder-coated
Locking material	Steel (galvanized)
Seal material	NBR
Technical Data	
Housing protection class	IP65
Mating cycles	min. 500

	Dimensioned drawing	Description	M	Art-No.
		B24 Bulkhead mounted housing single lever IP65		<b>70MH-GAGNL-B000000</b>
		B24 Bulkhead mounted housing with plastic cover Single locking lever IP65		<b>70MH-GAGNL-B000010</b>
		B24 Surface mounted housing with plastic cover Low profile Single locking lever Side entry IP65 (h: 64)	25	<b>70MH-GSGNL-B01C010</b>
		B24 Surface mounted housing with plastic cover High profile Single locking lever Side entry IP65 (h: 80)	32	<b>70MH-GSGHL-B01D010</b>
		B24 Surface mounted housing with plastic cover High profile Single locking lever Two side entries IP65 (h: 80)	32	<b>70MH-GSGHL-B02D010</b>

## MODLINK HEAVY B24 – HOUSING | HOODS FOR DOUBLE LOCKING LEVER

## Technical Data

General data	Value
Housing material	Aluminum diecast
Housing surface material	Powder-coated
Technical Data	
Housing protection class	IP65 / IP67
Mating cycles	min. 500


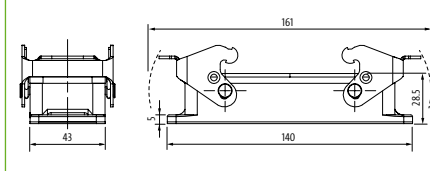

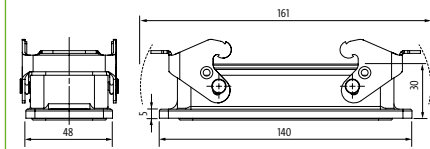

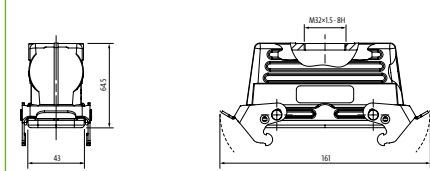
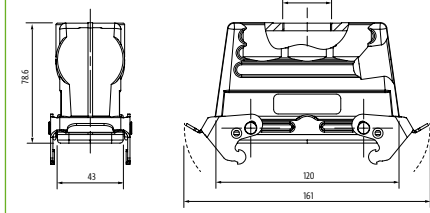
	Dimensioned drawing	Description	M	Art-No.
		B24 Hood Low profile Double locking lever Top entry IP65	25	<b>70MH-GTGNQ-A01C000</b>
			32	<b>70MH-GTGNQ-A01D000</b>
		B24 Hood High profile Double locking lever Top entry IP65	32	<b>70MH-GTGHQ-A01D000</b>
			40	<b>70MH-GTGHQ-A01E000</b>
		B24 Hood, Low profile Double locking lever Side entry IP65	25	<b>70MH-GTGNQ-A02C000</b>
		Hood Low or High profile Side or Top entry	32	<b>70MH-GTGNQ-A02D000</b>
		B24 Hood High profile Double locking lever Side entry IP65	32	<b>70MH-GTGHQ-A02D000</b>
			40	<b>70MH-GTGHQ-A02E000</b>
		B24 Hood High profile Double locking lever Top entry IP67	32	<b>70MH-GTGHQ-A01E100</b>
		B24 Hood High profile Double locking lever Side entry IP67	32	<b>70MH-GTGHQ-A02E100</b>




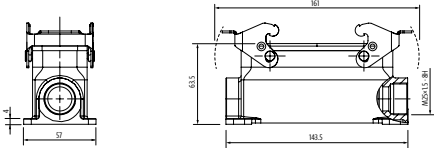

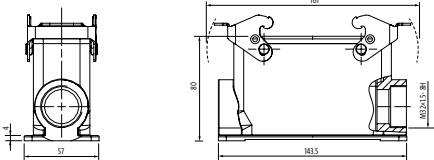

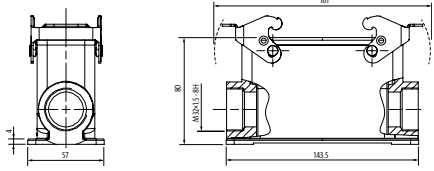
## MODLINK HEAVY B24 – HOUSING | HOUSING WITH DOUBLE LOCKING LEVER

### Technical Data

General data	Value
Housing material	Aluminum diecast
Housing surface material	Powder-coated
Locking material	Steel (galvanized)
Seal material	NBR / CR
Technical Data	
Housing protection class	IP65 / IP67
Mating cycles	min. 500

	Dimensioned drawing	Description	M	Art-No.
		B24 Bulkhead mounted housing Double locking lever IP65		<b>70MH-GAGNQ-B000000</b>
		B24 Bulkhead mounted housing Double locking lever IP67		<b>70MH-GAGNQ-B000100</b>
		B24 coupling housing Low profile Double locking lever Top entry IP65 (h: 64.5)	32	<b>70MH-GKGNQ-B01D000</b>
		B24 coupling housing High profile Double locking lever Top entry IP65 (h: 78.6)	32	<b>70MH-GKGHQ-B01D000</b>

MODLINK HEAVY B24 – HOUSING | HOUSING WITH DOUBLE LOCKING LEVER

	Dimensioned drawing	Description	M	Art-No.
		<p>B24 Surface mounted housing                      Low profile                      Double locking lever                      Side entry                      IP65                      (h: 64)</p>	25	<b>70MH-GSGNQ-B01C000</b>
		<p>B24 Surface mounted housing                      High profile                      Double locking lever                      Side entry                      IP65                      (h: 80)</p>	32	<b>70MH-GSGHQ-B01D000</b>
		<p>B24 Surface mounted housing                      High profile                      Double locking lever                      Two side entries                      IP65                      (h: 80)</p>	32	<b>70MH-GSGHQ-B02D000</b>


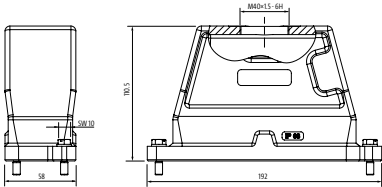

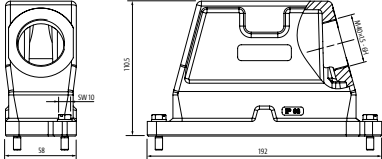
NOTES

A large grid of small dots for taking notes, covering the majority of the page below the 'NOTES' header.

## MODLINK HEAVY B24 – HOUSING | HOUSING TOP PARTS WITH SCREW LOCKING

## Technical Data


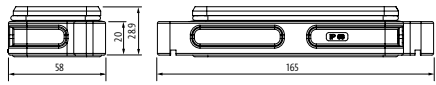

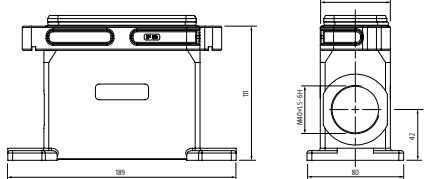
General data	Value
Housing material	Aluminum diecast
Housing surface material	Powder-coated
Locking material	Stainless steel
Seal material	Silicone
Technical Data	
Housing protection class	IP68
Mating cycles	min. 500

	Dimensioned drawing	Description	M	Art-No.
		B24 Hood Screw locking Top entry IP68	40	<b>70MH-GTGNS-A01E200</b>
		B24 Hood Screw locking Side entry IP68	40	<b>70MH-GTGNS-A02E200</b>

## MODLINK HEAVY B24 – HOUSING | HOUSING TOP PARTS FOR SCREW LOCKING


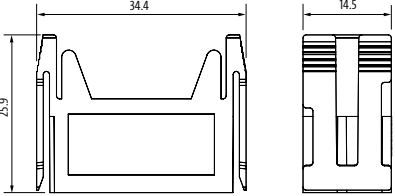
### Technical Data

General data	Value
Housing material	Aluminum diecast
Housing surface material	Powder-coated
Seal material	Silicone
Technical Data	
Housing protection class	IP68
Mating cycles	min. 500


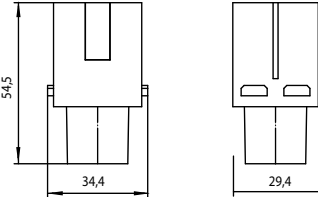

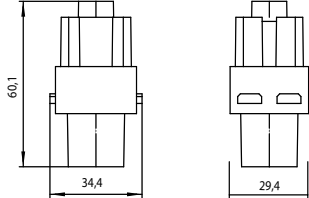
	Dimensioned drawing	Description	M	Art-No.
		B24 Bulkhead mounted housing Screw locking IP68		<b>70MH-GAFNS-B000200</b>
		B24 Surface mounted housing Screw locking Side entry IP68	40	<b>70MH-GSFNS-B01E200</b>

## MODLINK HEAVY MODULAR – MODULES


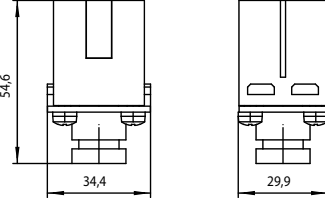

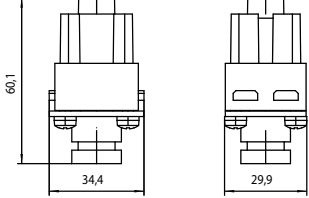
## Blind module

	Dimensioned drawing	Description	Art-No.
		Blind module	70MH-MAA10-0000000


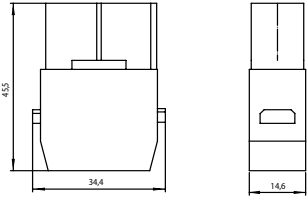

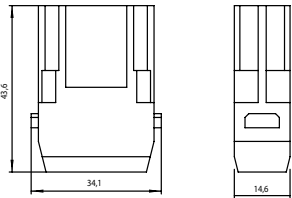



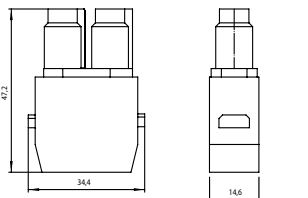

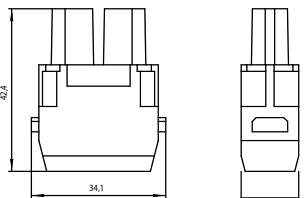

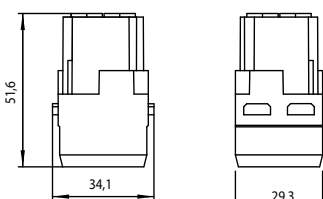
## 1-pole module – axial screw connection

Male			
		Male, 1-pole, 1000 V, 200 A <i>Retaining clip is required (4 x)</i>	70MH-MAB2A-0010707
Female			
		Female, 1-pole, 1000 V, 200 A <i>Retaining clip is required (4 x)</i>	70MH-MAC2A-0010707

## 1-pole PE module – axial screw connection


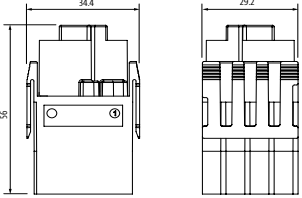

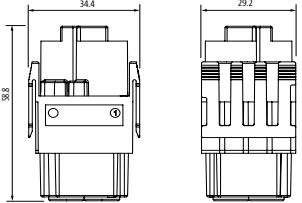
Male			
		Male, 1-pole, 1000 V, 200 A <i>Retaining clip is required (4 x)</i>	70MH-MAQ2A-0010707
Female			
		Female, 1-pole, 1000 V, 200 A <i>Retaining clip is required (4 x)</i>	70MH-MAR2A-0010707

MODLINK HEAVY MODULAR – MODULES  
2-pole module – axial screw connection


Male	Dimensioned drawing	Description	Art-No.
		<p>Male, 2-pole, 1000 V, 70 A <i>Retaining clip is required (2x)</i></p>	<p><b>70MH-MAB1A-0020706</b></p>
		<p>Male, 2-pole, 1000 V, 40 A <i>Retaining clip is required (2x)</i></p>	<p><b>70MH-MAB1A-0020703</b></p>
		<p>Male, 2-pole, 1000 V, 100 A <i>Retaining clip is required (4x)</i></p>	<p><b>70MH-MAB2A-0020704</b></p>
Female			
		<p>Female, 2-pole, 1000 V, 70 A <i>Retaining clip is required (2x)</i></p>	<p><b>70MH-MAC1A-0020706</b></p>
		<p>Female, 2-pole, 1000 V, 40 A <i>Retaining clip is required (2x)</i></p>	<p><b>70MH-MAC1A-0020703</b></p>
		<p>Female, 2-pole, 1000 V, 100 A <i>Retaining clip is required (4x)</i></p>	<p><b>70MH-MAC2A-0020704</b></p>

## MODLINK HEAVY MODULAR – MODULES

### 2-Pole Module – Crimp


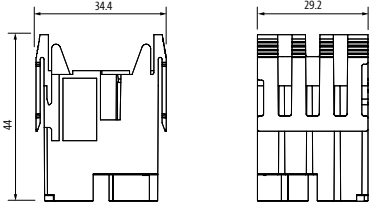

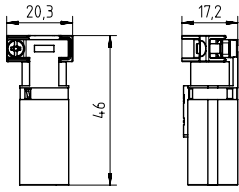

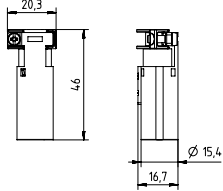
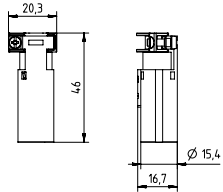

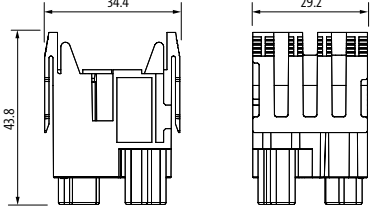

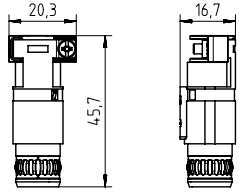

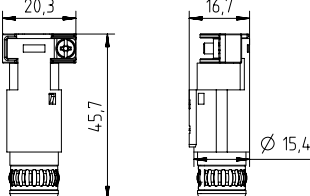
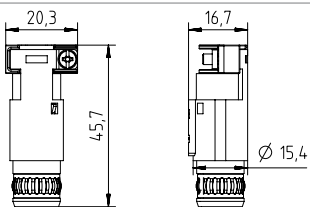
Male	Dimensioned drawing	Description	Art-No.
		Power male module, 2-pole, crimp, 1000 V, 100 A	<b>70MH-MAF2C-0020704</b>
Female	Dimensioned drawing	Description	Art-No.
		power female module, 2-pole, crimp, 1000 V, 100 A	<b>70MH-MAG2C-0020704</b>

### Accessories For The 2-Pole Module – Crimp

Turned crimp contacts   8 mm	Form of delivery	for wire cross section	AWG	pc	Art-No.	Art-No.
					Male contact	Female contact
	Silver-plated	10 mm <sup>2</sup>	8	2	<b>70MH-ZKA1S-0400800</b>	<b>70MH-ZKB1S-0400800</b>
		16 mm <sup>2</sup>	6	2	<b>70MH-ZKA1S-0400900</b>	<b>70MH-ZKB1S-0400900</b>
		25 mm <sup>2</sup>	4	2	<b>70MH-ZKA1S-0401000</b>	<b>70MH-ZKB1S-0401000</b>
		35 mm <sup>2</sup>	2	2	<b>70MH-ZKA1S-0401100</b>	<b>70MH-ZKB1S-0401100</b>




**MODLINK HEAVY MODULAR – MODULES**  
2-Pole Shielded Module/Coax Module – Crimp


Male	Dimensioned drawing	Description	Art-No.
		Male, shielded, 2-pole, crimp, 50 V, 10 A	<b>70MH-MAD2C-0020101</b>
		Male, contact carrier, 4-pole	<b>70MH-ZKC01-0000000</b>
		Male, coax insert, 50 Ω	<b>70MH-ZKE01-0000000</b>
		Male, coax insert, 75 Ω	<b>70MH-ZKE02-0000000</b>
Female			
		Female, shielded, 2-pole, crimp, 50 V, 10 A	<b>70MH-MAE2C-0020101</b>
		Female, contact carrier, 4-pole	<b>70MH-ZKD01-0000000</b>
		Female, coax insert, 50 Ω	<b>70MH-ZKF01-0000000</b>
		Female, coax insert, 75 Ω	<b>70MH-ZKF02-0000000</b>

## MODLINK HEAVY MODULAR – MODULES


### Accessories For Contact Carriers 4-pole

Turned crimp contacts   1.6 mm	Form of delivery	for wire cross section	AWG	pc	Art-No.	
					Male contact	Female contact
	Silver-plated	0.14–0.37 mm <sup>2</sup>	26–22	100	<b>70MH-ZKA1S-0100100</b>	<b>70MH-ZKB1S-0100100</b>
		0.5 mm <sup>2</sup>	20	100	<b>70MH-ZKA1S-0100200</b>	<b>70MH-ZKB1S-0100200</b>
		0.75–1.0 mm <sup>2</sup>	20–16	100	<b>70MH-ZKA1S-0100300</b>	<b>70MH-ZKB1S-0100300</b>
		1.5 mm <sup>2</sup>	16–15	100	<b>70MH-ZKA1S-0100400</b>	<b>70MH-ZKB1S-0100400</b>
		2.5 mm <sup>2</sup>	14	100	<b>70MH-ZKA1S-0100500</b>	<b>70MH-ZKB1S-0100500</b>
	Gold-plated	0.14–0.37 mm <sup>2</sup>	26–22	100	<b>70MH-ZKA1G-0100100</b>	<b>70MH-ZKB1G-0100100</b>
		0.5 mm <sup>2</sup>	20	100	<b>70MH-ZKA1G-0100200</b>	<b>70MH-ZKB1G-0100200</b>
		0.75–1.0 mm <sup>2</sup>	20–16	100	<b>70MH-ZKA1G-0100300</b>	<b>70MH-ZKB1G-0100300</b>
		1.5 mm <sup>2</sup>	16–15	100	<b>70MH-ZKA1G-0100400</b>	<b>70MH-ZKB1G-0100400</b>
		2.5 mm <sup>2</sup>	14	100	<b>70MH-ZKA1G-0100500</b>	<b>70MH-ZKB1G-0100500</b>

### Accessories For Coax Insert 50 Ω


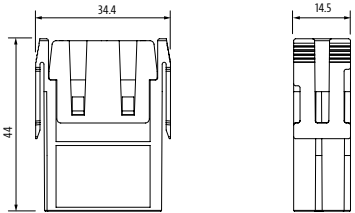

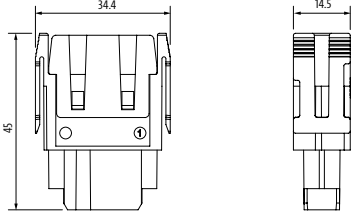
Turned crimp contacts   2.5 mm	Form of delivery	for wire cross section	AWG	pc	Art-No.	
					Male contact	Female contact
	Gold-plated	0.5 mm <sup>2</sup>	20	100	<b>70MH-ZKA1G-0200200</b>	<b>70MH-ZKB1G-0200200</b>
		0.75–1.0 mm <sup>2</sup>	18	100	<b>70MH-ZKA1G-0200300</b>	<b>70MH-ZKB1G-0200300</b>
		1.5 mm <sup>2</sup>	16	100	<b>70MH-ZKA1G-0200400</b>	<b>70MH-ZKB1G-0200400</b>
		2.5 mm <sup>2</sup>	14	100	<b>70MH-ZKA1G-0200500</b>	<b>70MH-ZKB1G-0200500</b>
		4.0 mm <sup>2</sup>	12	100	<b>70MH-ZKA1G-0200600</b>	<b>70MH-ZKB1G-0200600</b>

### Accessories For Coax Insert 75 Ω


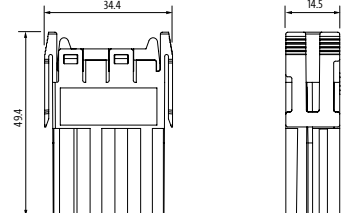

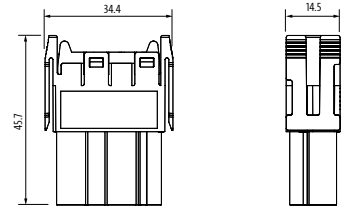
Turned crimp contacts   1.6 mm	Form of delivery	for wire cross section	AWG	pc	Art-No.	
					Male contact	Female contact
	Gold-plated	0.14–0.37 mm <sup>2</sup>	26–22	100	<b>70MH-ZKA1G-0100100</b>	<b>70MH-ZKB1G-0100100</b>
		0.5 mm <sup>2</sup>	20	100	<b>70MH-ZKA1G-0100200</b>	<b>70MH-ZKB1G-0100200</b>
		0.75–1.0 mm <sup>2</sup>	20–16	100	<b>70MH-ZKA1G-0100300</b>	<b>70MH-ZKB1G-0100300</b>
		1.5 mm <sup>2</sup>	16–15	100	<b>70MH-ZKA1G-0100400</b>	<b>70MH-ZKB1G-0100400</b>
		2.5 mm <sup>2</sup>	14	100	<b>70MH-ZKA1G-0100500</b>	<b>70MH-ZKB1G-0100500</b>

## MODLINK HEAVY MODULAR – MODULES


### 3-Pole Module – Crimp

Male	Dimensioned drawing	Description	Art-No.
		Male, 3-pole, crimp 400 V (pin-PE) / 690 V (pin-pin), 40 A	<b>70MH-MAB1C-0030903</b>
		Female, 3-pole, crimp, 400 V (pin-PE) / 690 V (pin-pin), 40 A	<b>70MH-MAC1C-0030903</b>

### 4-Pole Module – Crimp


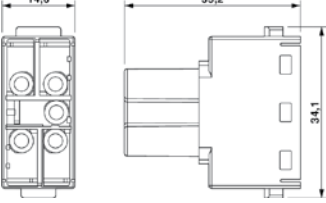

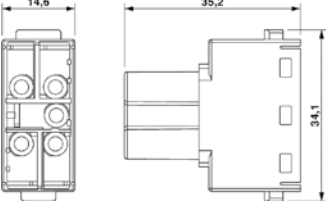
Male	Dimensioned drawing	Description	Art-No.
		Male, 4-pole, crimp, 830 V, 40 A	<b>70MH-MAB1C-0040603</b>
		Female, 4-pole, crimp, 830 V, 40 A	<b>70MH-MAC1C-0040603</b>

### Accessories for the 3 and 4-Pole Module – Crimp


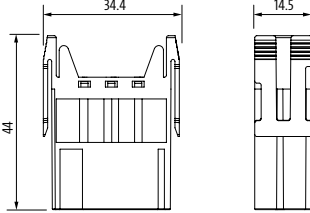

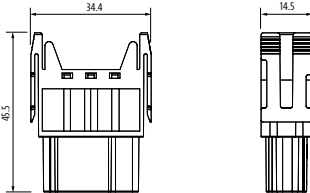
Turned crimp contacts   4 mm	Form of delivery	for wire cross section	AWG	pc	Art-No.	
					Male contact	Female contact
	Silver-plated	1.5 mm <sup>2</sup>	16	100	<b>70MH-ZKA1S-0300400</b>	<b>70MH-ZKB1S-0300400</b>
		2.5 mm <sup>2</sup>	14	100	<b>70MH-ZKA1S-0300500</b>	<b>70MH-ZKB1S-0300500</b>
		4 mm <sup>2</sup>	12	100	<b>70MH-ZKA1S-0300600</b>	<b>70MH-ZKB1S-0300600</b>
		6 mm <sup>2</sup>	10	100	<b>70MH-ZKA1S-0300700</b>	<b>70MH-ZKB1S-0300700</b>
		10 mm <sup>2</sup>	8	100	<b>70MH-ZKA1S-0300800</b>	<b>70MH-ZKB1S-0300800</b>

## MODLINK HEAVY MODULAR – MODULES


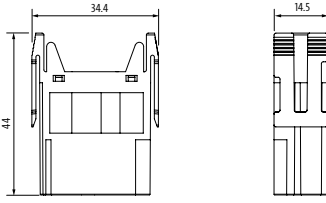

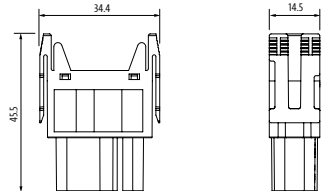
## 5-Pole Module – Push-in

Male	Dimensioned drawing	Description	Art-No.
		Male, 5-pole, push-in, 400 V, 16 A  <i>Retaining clip is required (2x)</i>	<b>70MH-MAB1P-0050402</b>
		Female, 5-pole, push-in, 400 V, 16 A  <i>Retaining clip is required (2x)</i>	<b>70MH-MAC1P-0050402</b>

## 6-Pole Module – Crimp


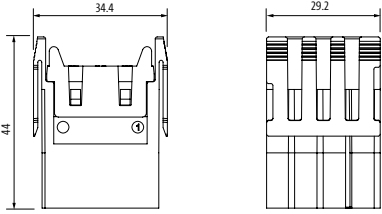

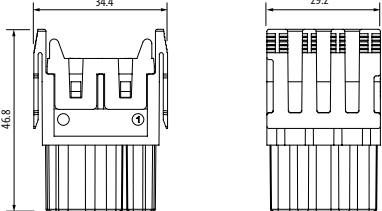
		Male, 6-pole, crimp, 500 V, 16 A	<b>70MH-MAB1C-0060502</b>
		Female, 6-pole, crimp, 500 V, 16 A	<b>70MH-MAC1C-0060502</b>

## 8-Pole Module – Crimp


		Male, 8-pole, crimp, 400 V, 16 A	<b>70MH-MAB1C-0080402</b>
		Female, 8-pole, crimp, 400 V, 16 A	<b>70MH-MAC1C-0080402</b>

## MODLINK HEAVY MODULAR – MODULES

### 20-Pole Module – Crimp


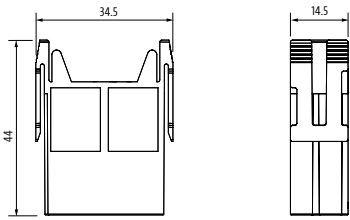

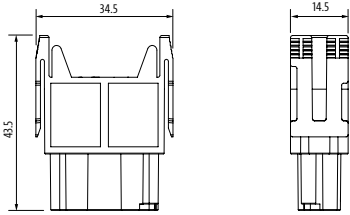
Male	Dimensioned drawing	Description	Art-No.
		Male, 20-pole, crimp, 500 V, 16 A	<b>70MH-MAB1C-0200502</b>
Female	Dimensioned drawing	Description	Art-No.
		Female, 20-pole, crimp, 500 V, 16 A	<b>70MH-MAC1C-0200502</b>

### Accessories for the 6, 8 and 20-pole module – crimp


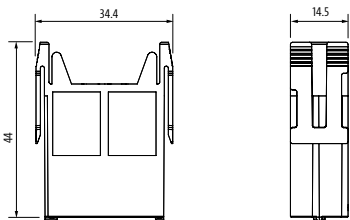

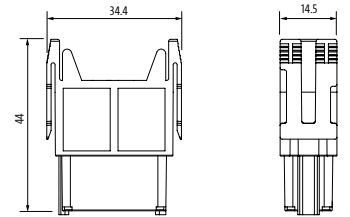
Turned crimp contacts   2.5 mm	Form of delivery	for wire cross section	AWG	pc	Art-No.	
					Male contact	Female contact
	Silver-plated	0.5 mm <sup>2</sup>	20	100	<b>70MH-ZKA1S-0200200</b>	<b>70MH-ZKB1S-0200200</b>
		0.75–1.0 mm <sup>2</sup>	18	100	<b>70MH-ZKA1S-0200300</b>	<b>70MH-ZKB1S-0200300</b>
		1.5 mm <sup>2</sup>	16	100	<b>70MH-ZKA1S-0200400</b>	<b>70MH-ZKB1S-0200400</b>
		2.5 mm <sup>2</sup>	14	100	<b>70MH-ZKA1S-0200500</b>	<b>70MH-ZKB1S-0200500</b>
		4.0 mm <sup>2</sup>	12	100	<b>70MH-ZKA1S-0200600</b>	<b>70MH-ZKB1S-0200600</b>
	Gold-plated	0.5 mm <sup>2</sup>	20	100	<b>70MH-ZKA1G-0200200</b>	<b>70MH-ZKB1G-0200200</b>
		0.75–1.0 mm <sup>2</sup>	18	100	<b>70MH-ZKA1G-0200300</b>	<b>70MH-ZKB1G-0200300</b>
		1.5 mm <sup>2</sup>	16	100	<b>70MH-ZKA1G-0200400</b>	<b>70MH-ZKB1G-0200400</b>
		2.5 mm <sup>2</sup>	14	100	<b>70MH-ZKA1G-0200500</b>	<b>70MH-ZKB1G-0200500</b>
		4.0 mm <sup>2</sup>	12	100	<b>70MH-ZKA1G-0200600</b>	<b>70MH-ZKB1G-0200600</b>

## MODLINK HEAVY MODULAR – MODULES


## 12-Pole Module – Crimp

Male	Dimensioned drawing	Description	Art-No.
		Male, 12-pole, crimp, 250 V (pin-PE) / 400 V (pin – pin), 10 A	<b>70MH-MAB1C-0120801</b>
		Female, 12-pole, crimp, 250 V (pin – PE) / 400 V (pin – pin), 10 A	<b>70MH-MAC1C-0120801</b>

## 17-Pole Module – Crimp


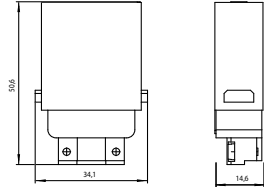

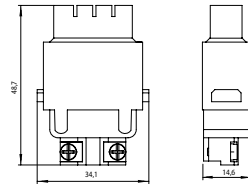
Male	Dimensioned drawing	Description	Art-No.
		Male, 17-pole, crimp, 160 V, 10 A	<b>70MH-MAB1C-0170201</b>
		Female, 17-pole, crimp, 160 V, 10 A	<b>70MH-MAC1C-0170201</b>

## Accessories for the 12 and 17-Pole Module – Crimp


Turned crimp contacts   1.6 mm	Form of delivery	for wire cross section	AWG	pc	Art-No.	
					Male contact	Female contact
	Silver-plated	0.14–0.37 mm <sup>2</sup>	26–22	100	<b>70MH-ZKA1S-0100100</b>	<b>70MH-ZKB1S-0100100</b>
		0.5 mm <sup>2</sup>	20	100	<b>70MH-ZKA1S-0100200</b>	<b>70MH-ZKB1S-0100200</b>
		0.75–1.0 mm <sup>2</sup>	20–16	100	<b>70MH-ZKA1S-0100300</b>	<b>70MH-ZKB1S-0100300</b>
		1.5 mm <sup>2</sup>	16–15	100	<b>70MH-ZKA1S-0100400</b>	<b>70MH-ZKB1S-0100400</b>
		2.5 mm <sup>2</sup>	14	100	<b>70MH-ZKA1S-0100500</b>	<b>70MH-ZKB1S-0100500</b>
	Gold-plated	0.14–0.37 mm <sup>2</sup>	26–22	100	<b>70MH-ZKA1G-0100100</b>	<b>70MH-ZKB1G-0100100</b>
		0.5 mm <sup>2</sup>	20	100	<b>70MH-ZKA1G-0100200</b>	<b>70MH-ZKB1G-0100200</b>
		0.75–1.0 mm <sup>2</sup>	20–16	100	<b>70MH-ZKA1G-0100300</b>	<b>70MH-ZKB1G-0100300</b>
		1.5 mm <sup>2</sup>	16–15	100	<b>70MH-ZKA1G-0100400</b>	<b>70MH-ZKB1G-0100400</b>
		2.5 mm <sup>2</sup>	14	100	<b>70MH-ZKA1G-0100500</b>	<b>70MH-ZKB1G-0100500</b>

## MODLINK HEAVY MODULAR – MODULES

### Gigabit module


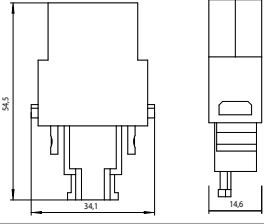



Pin	Dimensioned drawing	Description	Art-No.
		Pin, gigabit module, crimp  <i>Retaining clip is required (2x)</i>	<b>70MH-MAHIC-0000000</b>
<b>Female</b> 		Female, gigabit module, crimp  <i>Retaining clip is required (2x)</i>	<b>70MH-MAIC-0000000</b>

### Accessories for the Gigabit Module

Gigabit crimp contacts	for wire cross section	AWG	pc	Art-No. Male contact	Art-No. Female contact
		0.08–0.12 mm <sup>2</sup>	28–26	100	<b>70MH-ZKG02-0000000</b>
	0.2–0.5 mm <sup>2</sup>	24–20	100	<b>70MH-ZKG01-0000000</b>	<b>70MH-ZKH01-0000000</b>

## MODLINK HEAVY MODULAR – MODULES


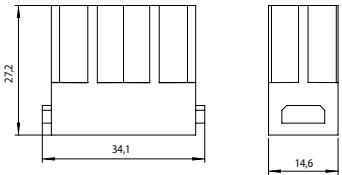

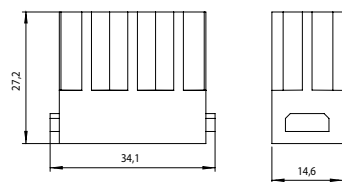
## RJ45 module

Male		Description	Art-No.
		Male, RJ45 adapter module  <i>Retaining clip is required (2x)</i>	<b>70MH-MAL10-0010000</b>
		RJ45 connector for the RJ45 adapter module AWG 26-24	<b>70MH-ZRJ45-1000000</b>
		RJ45 connector for the RJ45 adapter module AWG 23-22	<b>70MH-ZRJ45-2000000</b>
Female			
		Female, RJ-45 module, adapter  <i>Retaining clip is required (2x)</i>	<b>70MH-MAM10-0000000</b>




## MODLINK HEAVY MODULAR – MODULES

### Pneumatic module

Male				
		Male and female, pneumatic module, 2-pole, for 6 mm pneumatic contacts		<b>70MH-MAP10-0020000</b>
		Male and female, pneumatic module, 3-pole, for 1.6/3/4 mm pneumatic contacts		<b>70MH-MAP10-0030000</b>


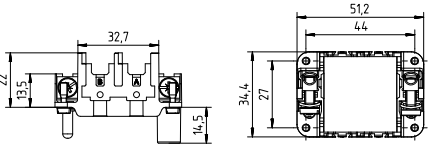

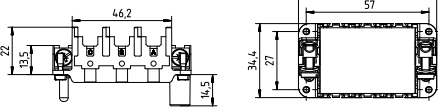

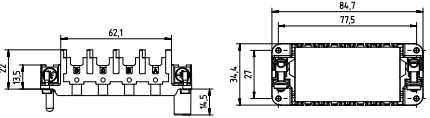

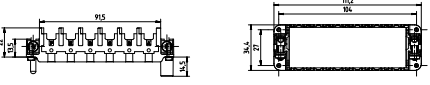

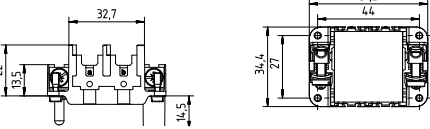

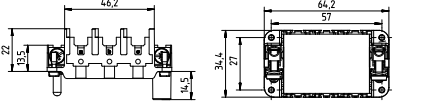
### Accessories for the Pneumatic Module

Pneumatic inserts (PU 10)	Tube inner diameter	Art-No Male	Art-No. Female	Art-No. Female with valve
	1.6 mm	<b>70MH-ZP001-0000000</b>	<b>70MH-ZP101-0000000</b>	<b>70MH-ZP201-0000000</b>
	3 mm	<b>70MH-ZP002-0000000</b>	<b>70MH-ZP102-0000000</b>	<b>70MH-ZP202-0000000</b>
	4 mm	<b>70MH-ZP003-0000000</b>	<b>70MH-ZP103-0000000</b>	<b>70MH-ZP203-0000000</b>
	6 mm	<b>70MH-ZP004-0000000</b>	<b>70MH-ZP104-0000000</b>	<b>70MH-ZP204-0000000</b>


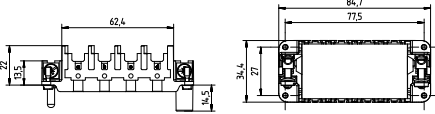

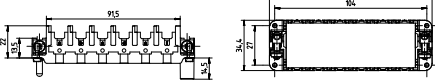
## MODLINK HEAVY MODULAR – FRAMES

## Technical Data


General data	Value
Frame material	Die-cast zinc, nickel-plated
Flammability class	UL94 (V-0)
No. of PEs	2
Technical Data	
Mating cycles	min. 500

	Dimensioned drawing	Description	Art-No.
		B6 frame, Male, for two modules	<b>70MH-RD02S-0000000</b>
		B10 frame, Male, for three modules	<b>70MH-RE03S-0000000</b>
		B16 frame, Male, for four modules	<b>70MH-RF04S-0000000</b>
		B24 frame, Male, for six modules	<b>70MH-RG06S-0000000</b>
		B6 frame, Female, for two modules	<b>70MH-RD02B-0000000</b>
		B10 frame, Female, for three modules	<b>70MH-RE03B-0000000</b>


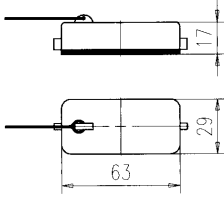

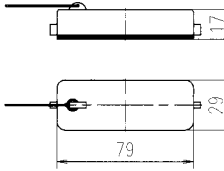

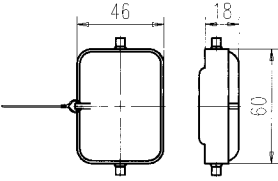
## MODLINK HEAVY MODULAR – FRAMES

	Dimensioned drawing	Description	Art-No.
		B16 frame, Female, for four modules	<b>70MH-RF04B-0000000</b>
		B24 frame, Female, for six modules	<b>70MH-RG06B-0000000</b>


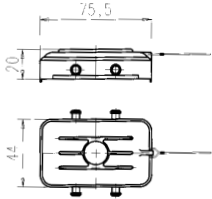

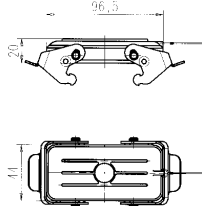

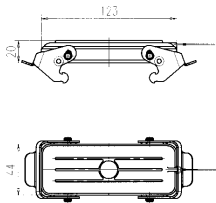
## Accessories

	Description	Art-No.
	Clips for modules, PU 10	<b>70MH-ZZ100-0000000</b>
	Cable lug 10–16 mm <sup>2</sup> , PU 100	<b>70MH-ZZ200-0000000</b>


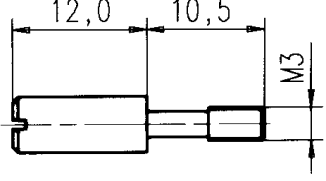
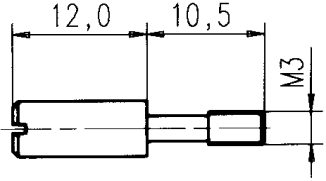

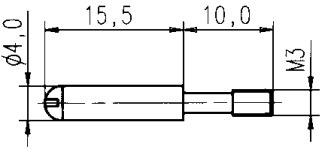
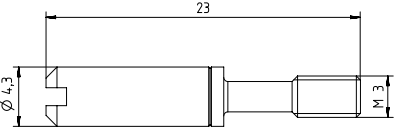

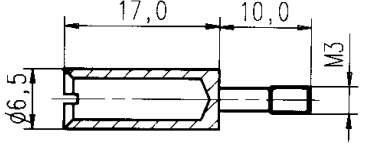
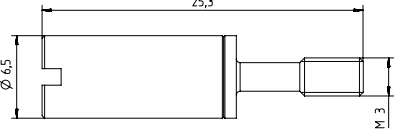
## MODLINK HEAVY ACCESSORIES – PROTECTIVE COVERS

	Dimensioned drawing	Description	Art-No.
		Protective cover, size A10, plastic, single locking system	<b>70MH-ZSBKL-A000000</b>
		Protective cover, size A16 plastic, single locking system	<b>70MH-ZSCKL-A000000</b>
		Protective cover, size B6, plastic, single locking system	<b>70MH-ZSDKL-A000000</b>


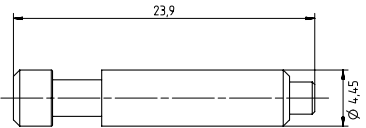
MODLINK HEAVY ACCESSORIES – PROTECTIVE COVERS

	Dimensioned drawing	Description	Art-No.
		<p>Protective cover, size B10, plastic, double locking system</p>	<p><b>70MH-ZSEKQ-A000000</b></p>
		<p>Protective cover, size B16, pla- stic, double locking system</p>	<p><b>70MH-ZSFKQ-A000000</b></p>
		<p>Protective cover, size B24, plastic, double locking system</p>	<p><b>70MH-ZSGKQ-A000000</b></p>

## MODLINK HEAVY ACCESSORIES – CODING ELEMENTS

	Dimensioned drawing	Description	Art-No.
		Coding bolt, PU 10	<b>70MH-ZC001-1000000</b>
		Coding bolt, PU 100	<b>70MH-ZC001-2000000</b>
		Coding pin, PU 10	<b>70MH-ZC002-1000000</b>
		Coding pin for Modlink Heavy, Modular, PU 10	<b>70MH-ZC002-2000000</b>
		Coding bush, PU 10	<b>70MH-ZC003-1000000</b>
		Coding bush for Modlink Heavy, Modular, PU 10	<b>70MH-ZC003-2000000</b>


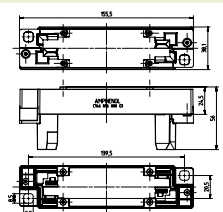

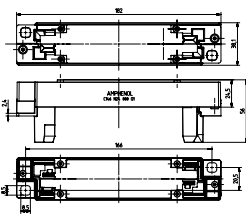
## Accessories

	Dimensioned drawing	Description	Art-No.
		Coding element 10 pieces	<b>70MH-ZC004-1000000</b>

NOTES

A large grid of small dots for taking notes, covering the majority of the page below the 'NOTES' header.

MODLINK HEAVY ACCESSORIES – TOLERANCE COMPENSATION SYSTEM

	Dimensioned drawing	Description	Art-No.
		Tolerance compensation system, size B16	<b>70MH-ZGF00-0000000</b>
		Tolerance compensation system, size B14	<b>70MH-ZGG00-0000000</b>

MODLINK HEAVY ACCESSORIES – LOCKING SYSTEM SET

	Description	Art-No.
	Locking system set 10 pieces	<b>70MH-ZZ300-0000000</b>

MODLINK HEAVY ACCESSORIES – SHIELDING BRACKETS

	Dimensioned drawing	Description	Art-No.
		Shielding bracket for B6 inserts	<b>70MH-ZZ4DE-0000000</b>
		Shielding bracket for B6 frames	<b>70MH-ZZ4DR-0000000</b>
		Shielding bracket for B10 inserts	<b>70MH-ZZ4EE-0000000</b>
		Shielding bracket for B10 frames	<b>70MH-ZZ4ER-0000000</b>
		Shielding bracket for B16 inserts	<b>70MH-ZZ4FE-0000000</b>
		Shielding bracket for B16 frames	<b>70MH-ZZ4FR-0000000</b>
		Shielding bracket for B24 inserts	<b>70MH-ZZ4GE-0000000</b>
		Shielding bracket for B24 frames	<b>70MH-ZZ4GR-0000000</b>



## MODLINK HEAVY ACCESSORIES – TOOLS


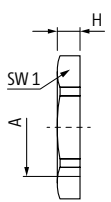

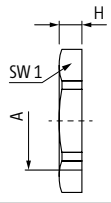
Description	Art-No.
Extraction tool for 1.6 mm contacts	70MH-ZW001-1000000
Extraction tool for 2.5 mm contacts	70MH-ZW001-2000000
Extraction tool for 4 mm contacts	70MH-ZW001-3000000
Crimp die for 1.6 mm contacts	70MH-ZW003-1000000
Crimp die for 2.5 mm contacts (up to 2.5 mm <sup>2</sup> )	70MH-ZW003-2000000
Crimp die for 2.5 mm contacts (4 mm <sup>2</sup> )	70MH-ZW003-3000000
Crimp die for 8 mm contacts (16 mm <sup>2</sup> )	70MH-ZW003-4000000
Crimp die for 8 mm contacts (25 mm <sup>2</sup> )	70MH-ZW003-5000000
Crimp die for 8 mm contacts (35 mm <sup>2</sup> )	70MH-ZW003-6000000
Crimping tool for square crimping (long handle)	70MH-ZW002-1000000
Crimping tool with contact locator for 4 mm contacts	70MH-ZW002-3000000
Crimping tool for square crimping (short handles)	70MH-ZW002-2000000
Crimping tool with contact locator for 2.5 mm contacts	70MH-ZW002-5000000
Crimping tool with contact locator for 1.6 mm contacts	70MH-ZW002-4000000
Crimping tool, ratchet wrench (with emergency tripping)	7000-98401-0000000
Contact locator for 1.6 mm contacts	70MH-ZW004-1000000
Contact locator for 2.5 mm contacts (4 mm <sup>2</sup> )	70MH-ZW004-3000000
Contact locator for 2.5 mm contacts up to 2.5 mm <sup>2</sup>	70MH-ZW004-2000000
Cable scissors, with straight serrated cutting edge and wire cutter	7000-98100-0000000
Cable cutter, precision cutting edges with wave profile	7000-98131-0000000
Side-cutting pliers for cutting hard and soft wire	7000-98141-0000000
Stripping tool for flush stripping, also in areas difficult to access	7000-98201-0000000
Stripping tool, defined locating positions for circular, longitudinal and spiral cutting	7000-98211-0000000
Stripping pliers, cassette with straight cutting edge	7000-98301-0000000
Stripping pliers, gun handle	7000-98311-0000000
Power combi-pliers with nail and wire holder, integrated ring wrench	7000-98151-0000000
System clip with lanyard to prevent accidents due to accidentally dropped tools	7000-98999-0000000



## CABLE GLANDS

### Technical Data – PA Locknut, metric

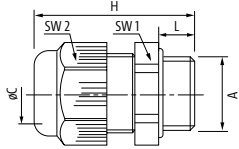
Design	
Hexagon nut	Polyamide
Connection thread	metric, to EN 60423
General data	
Temperature range	-20°C ... +100°C
Color	gray

Order data		Version (A)	SW 1 (mm)	Height (mm)	PU piece	Art. No.
 	M12 × 1.5	17	5	100	<b>7000-91002-0001200</b>	
	M16 × 1.5	22	5	100	<b>7000-91002-0001600</b>	
	M20 × 1.5	27	6	100	<b>7000-91002-0002000</b>	
	M25 × 1.5	32	6	100	<b>7000-91002-0002500</b>	
	M32 × 1.5	41	7	100	<b>7000-91002-0003200</b>	
non glass fiber-reinforced	M40 × 1.5	50	7	50	<b>7000-91002-0004000</b>	
 						

## CABLE GLANDS

## Technical Data – PA Cable Glands PG


<b>Design</b>	
Cap nut	Polyamide
Sealing ring	Polychloroprene nitrile rubber CR/NBR
Adapter	Polyamide
O-ring	Nitrile rubber NBR
Connection thread	PG, to DIN 40430
<b>General data</b>	
Temperature range	-20°C... +100°C
Protection type	IP68
Test standard	UL 514B
Color	gray

<b>Order data</b>								
 	<b>Version (A)</b>	<b>Clamp ØC (mm)</b>	<b>Thread length L (mm)</b>	<b>SW 1 (mm)</b>	<b>SW2 (mm)</b>	<b>Height (mm)</b>	<b>PU piece</b>	<b>Art. No.</b>
	PG 7	3 – 6.5	8	15	15	30.5	100	<b>7000-91001-1000700</b>
	PG 9	4 – 8	8	19	19	34	100	<b>7000-91001-1000900</b>
	PG 11	5 – 10	8	22	22	37	100	<b>7000-91001-1001100</b>
	PG 13	6 – 12	9	24	24	39	100	<b>7000-91001-1001300</b>
	PG 16	10 – 14	10	27	27	42.5	50	<b>7000-91001-1001600</b>
PG 21	13 – 18	11	33	33	47.5	50	<b>7000-91001-1002100</b>	
<b>with O-ring</b>  	PG 29	18 – 25	11	42	42	53	25	<b>7000-91001-1002900</b>
	PG 36	22 – 32	13	53	53	61	10	<b>7000-91001-1003600</b>

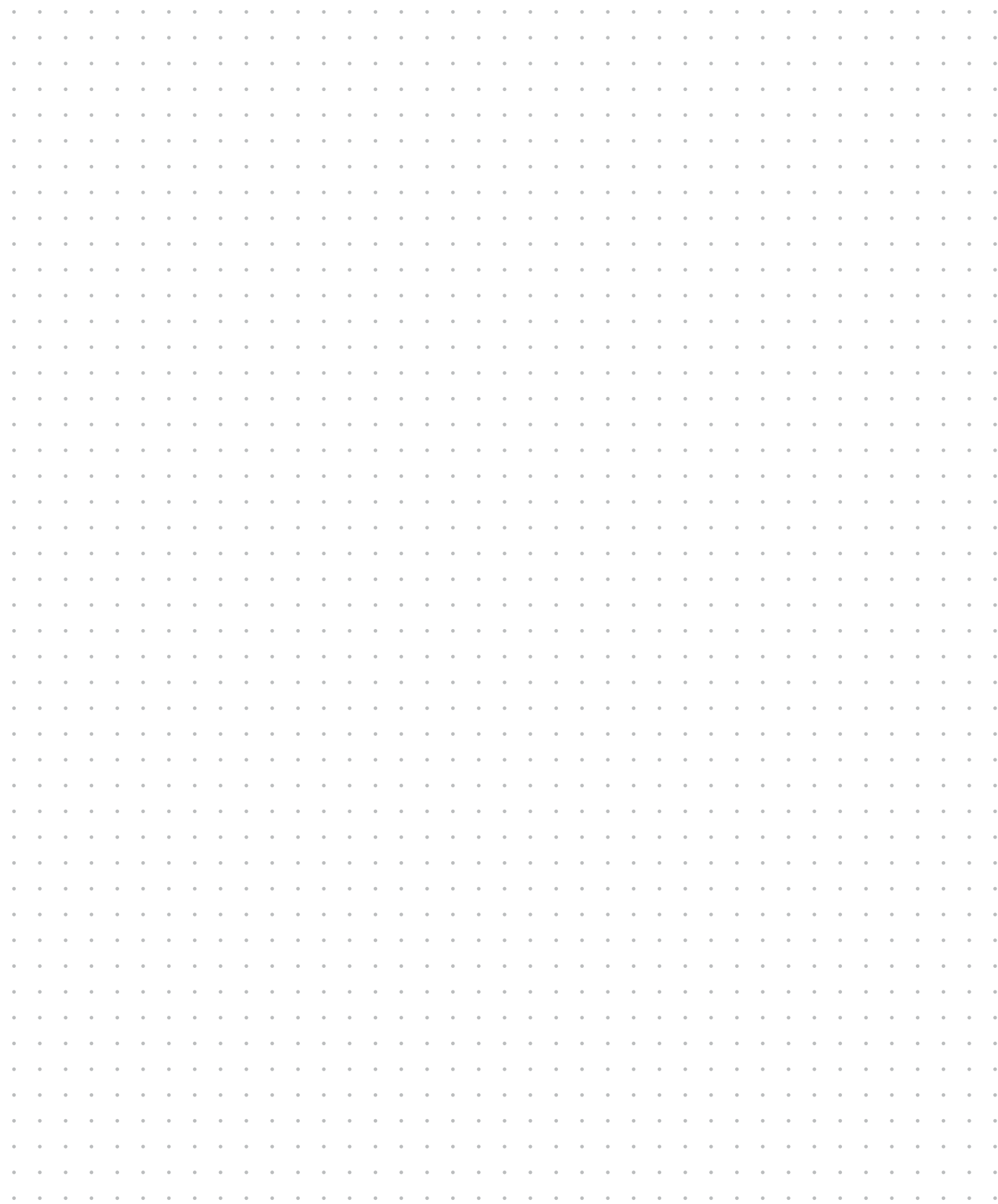
## CABLE GLANDS

### Technical Data – PA Locknut PG

<b>Design</b>	
Hexagon nut	Polyamide
Connection thread	metric, to EN 60423
<b>General data</b>	
Temperature range	-20°C ... +100°C
Color	gray

<b>Order data</b>		<b>Version (A)</b>	<b>SW 1 (mm)</b>	<b>Height (mm)</b>	<b>PU piece</b>	<b>Art. No.</b>
	PG 7	19	5	100	<b>7000-91002-1000700</b>	
	PG 9	22	5	100	<b>7000-91002-1000900</b>	
	PG 11	24	5	100	<b>7000-91002-1001100</b>	
	PG 13	27	6	100	<b>7000-91002-1001300</b>	
	PG 16	30	6	100	<b>7000-91002-1001600</b>	
	PG 21	36	7	100	<b>7000-91002-1002100</b>	
	PG 29	46	7	100	<b>7000-91002-1002900</b>	
	PG 36	60	8	50	<b>7000-91002-1003600</b>	

## NOTES



NOTES

A large grid of small dots for taking notes, covering the majority of the page below the 'NOTES' header.



 [www.murrelektronik.com](http://www.murrelektronik.com)

The specifications in this brochure were compiled with the greatest possible care. Liability for their correctness, completeness and currentness shall be confined to gross negligence.

Our social commitment encompasses all our corporate activities. We also ensure that our brochures are produced in an environmentally friendly manner.

